

Hustler Super Z Diesel Parts Manual



HUSTLER

•••••

P.O. Box 7000

•••

Hesston, Kansas

•

67062-2097

Table of Contents

Chapter 1

General Information	1-1
-------------------------------	-----

Chapter 2 Contents

Tractor Frame Rivet Nut Installation	2-2
Seat Latch & Belt Guard Rivet Nut Installation	2-3
Seat Support Rivet Nut Installation	2-4
Cooling System Rivet Nut Installation	2-5
Foot Rest Assembly	2-6

Chapter 3 Contents

Hydraulic Component Fittings	3-2
Hydraulic Component Mounting	3-4
Hydraulic Line Connections	3-6

Chapter 4 Contents

Battery Installation	4-2
Deck Lift Assembly	4-4
Steering and Park Brake Assembly	4-6

Chapter 5 Contents

Engine Idler	5-2
Air Cleaner Breakdown	5-3
Seat Support Assembly	5-4
Cooler Assembly	5-6
Cooler Assembly	5-7
Muffler Assembly	5-9
Engine Assembly	5-10
Engine Installation	5-12
Engine Installation	5-16
Fuel Tank Assemblies	5-20
Fuel System Installation	5-22
Instrument Panel Assembly	5-24
Electrical Schematic—797688	5-26
Electrical Schematic—795336	5-28
Electrical Schematic—795831	5-30

Chapter 6 Contents

Front Axle Assembly	6-2
Front Wheel Breakdown—791897	6-4
Drive Wheel Assembly Installation	6-5
Anti-Rollover Wheel Assembly	6-6

Chapter 7 Contents

72" Side Discharge Deck Assembly	7-2
72" Side Discharge Deck Pulley Assembly	7-4
Side Discharge Deck Hydraulic Motor Installation	7-6
60" Side Discharge Deck Assembly	7-8
60" Side Discharge Deck Pulley Assembly	7-10

72" Rear Discharge Deck Assembly	7-12
72" Rear Discharge Deck Pulley Assembly	7-14
Rear Discharge Deck Hydraulic Motor Installation	7-16
60" Rear Discharge Deck Assembly	7-18
60" Rear Discharge Deck Pulley Assembly	7-20
Spindle Assembly—796235	7-22
Spindle Assembly—796680	7-23
Chapter 8 Contents	
Deck Installation	8-2
Side Discharge Deck Belt Routing and Tensioning	8-4
Deck Belt Routing and Tensioning—Rear Discharge	8-5
ROPS Installation	8-7
Seat Installation	8-8
Chapter 9 Contents	
Tractor Decals	9-2
Side Discharge Deck Decals	9-4
Rear Discharge Deck Decals	9-5
Index	i-1

Chapter 1

General Information

This Manual covers Hustler Super Z Diesel model **927327 34/60**, Hustler Super Z Diesel model **927335 34/72**, Hustler Super Z Diesel Rear Discharge model **927608 34/72**, & Hustler Super Z Diesel Rear Discharge model **927616 34/60**.

Frequently Ordered Parts

PART NO.	DESCRIPTION
783936	Hydraulic Oil Filter
792267	Pump Drive Belt
791970	B-Section 60" Diesel Z Belt
791988	B-Section 72" Diesel Z Belt
797159	72" Diesel Z Rear Discharge Deck Belt
795773	60" Diesel Z Rear Discharge Deck Belt
795815	Fuel Filter
785261	Air Filter
795799	Engine Oil Filter

Service Literature

PART NO.	DESCRIPTION
351254	Super Diesel Z Owner's Manual
795807	Caterpillar 3013 User's Handbook

Note: When ordering parts, you must use the part number as shown for each part, not the index number. Always give the model and serial number to your parts and service representative.

Note: Items sold in bulk such as seals and hoses are sold by the foot.

Using this manual

Illustrations used were current at the time of printing, but subsequent production changes may cause your machine to vary slightly in detail. Excel Industries, Inc. reserves the right to redesign and change the machine as deemed necessary, without notification. If a change has been made to your machine which is not reflected in this parts manual, see your Hustler dealer for current information and parts.

Hardware Description Codes & Abbreviations

The following codes are used throughout this parts manual. Refer to this list when ordering parts.

ABBREVIATION	DESCRIPTION
CB	Carriage Bolt
CE	Clevis Pin
CP	Cotter Pin
CS	Cap Screw
CW	Cup Washer
FDRW	Fender Washer
FW	Flat Washer
HX	Hex Head
LW	Lock Washer
MB	Machine Bushing
MS	Machine Screw
NT	Nut
SC	Self Tapping Cap Screw
SH	Socket Head
SB	Shoulder Bolt
SS	Set Screw
OD	Outside Diameter
ID	Inside Diameter

Standard Torques

The following chart lists the standard torque values for the threaded fasteners found in this manual. Torque all cap screws, nuts and set screws to these values unless a different torque is shown in the Notes section next to the fastener.

SIZE	FT. LBS	NM	SIZE	FT.-LBS	NM
.250	8.2	11.1	M3	1	1.3
.312	17	23	M4	2.2	3
.375	30	40	M5	4.5	6.1
.438	48	65	M6	7.7	10.4
.500	73	99	M8	18.5	25
.562	105	143	M10	37	50
.625	145	200	M12	64	87
.750	260	350	M14	80	108.5
.875	420	565	M16	160	215
1.00	625	850	M20	320	435
			M24	555	750

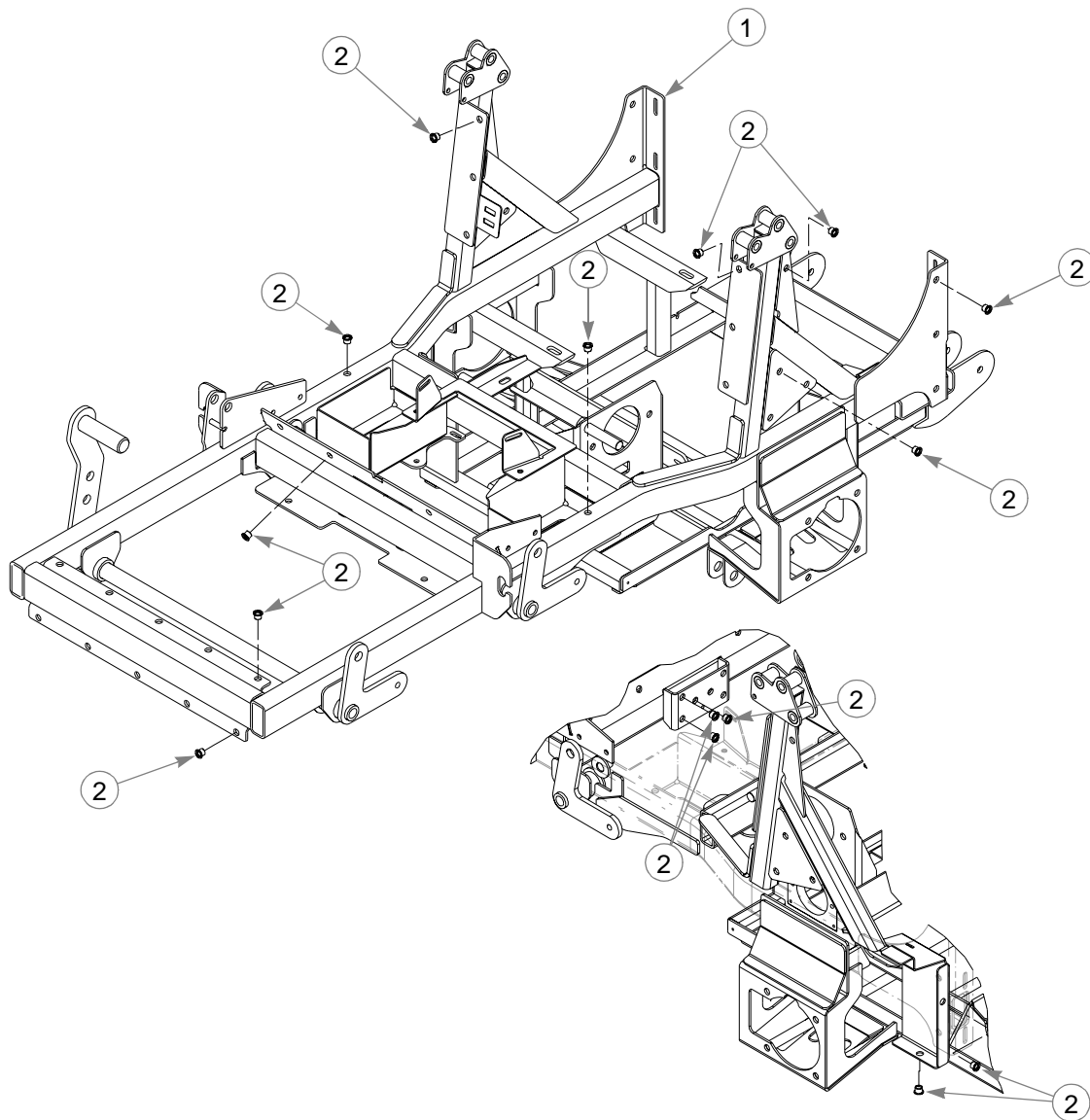
NOTE:

**Loctite® 592 to be used on all pipe threads.
Lubricate all grease zerks.**

Chapter 2 Contents

Tractor Frame Rivet Nut Installation	2-2
Seat Latch & Belt Guard Rivet Nut Installation	2-3
Seat Support Rivet Nut Installation	2-4
Cooling System Rivet Nut Installation	2-5
Foot Rest Assembly.	2-6

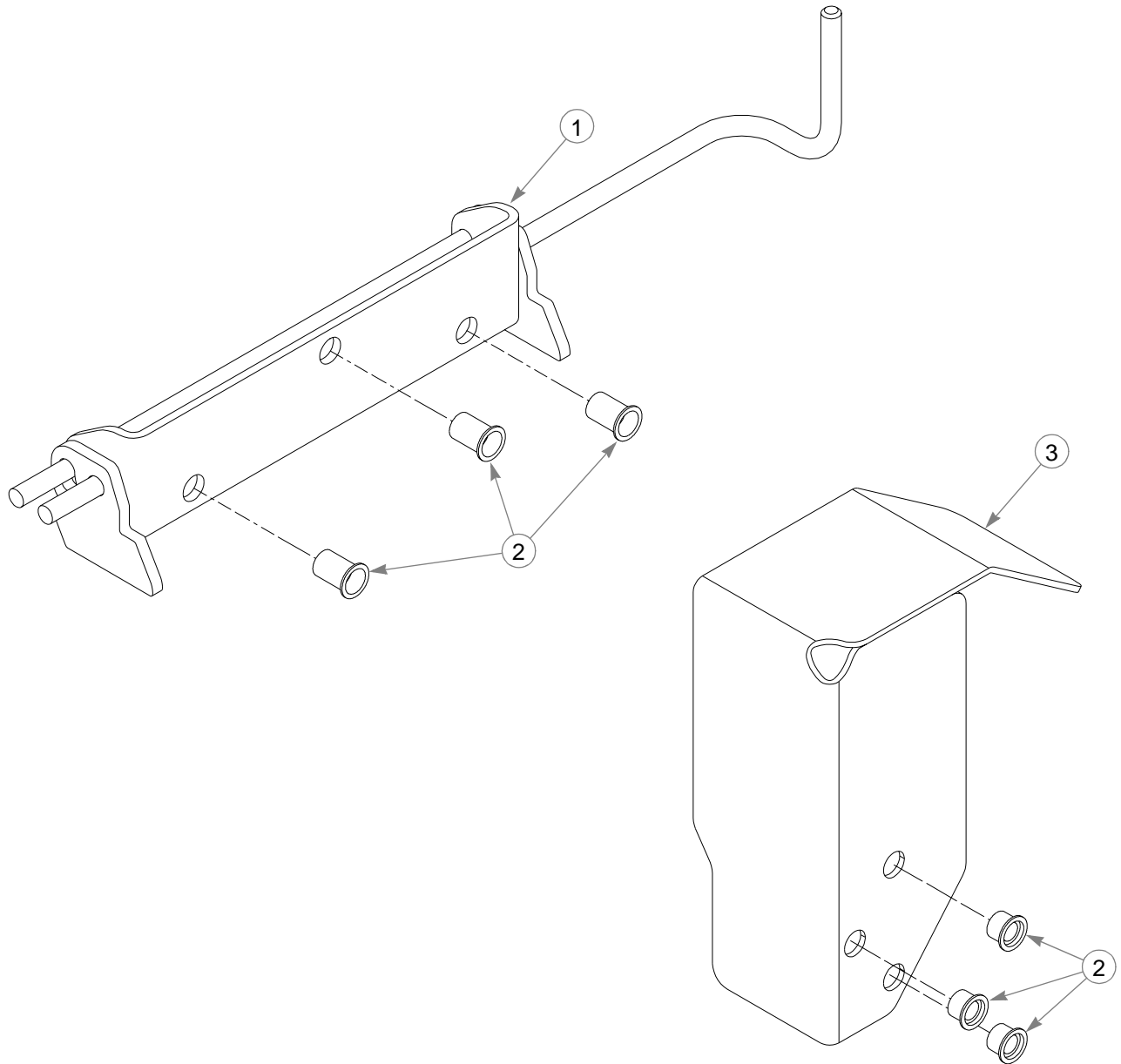
Tractor Frame Rivet Nut Installation



INDEX NO.	SERVICE PART NO.	MFG. PART NO.	QTY.	DESCRIPTION
1	547067	382010	1	DIESEL Z TRACTOR FRAME
2	N/A	808493	44	3/8-16 THREAD RIVET NUT

NOTES:

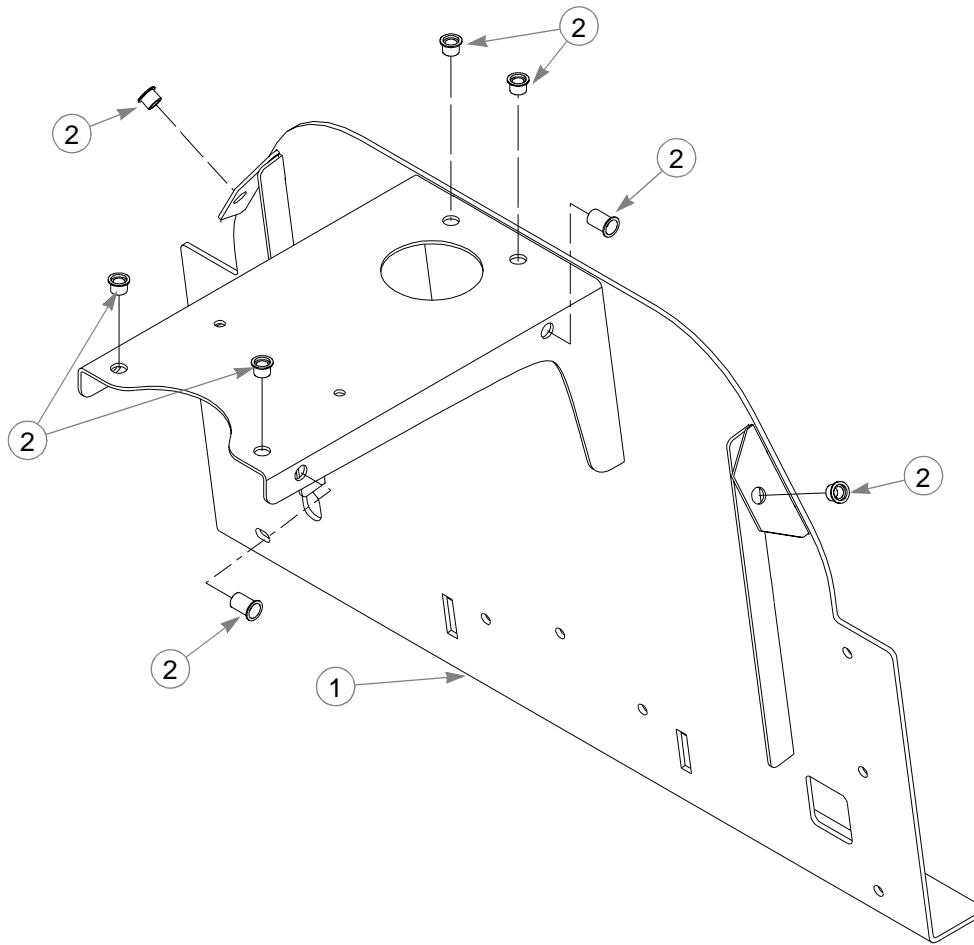
Seat Latch & Belt Guard Rivet Nut Installation



INDEX NO.	SERVICE PART NO.	MFG. PART NO.	QTY.	DESCRIPTION
1	334060	334060	1	SEAT CATCH
2	808493	808493	6	3/8-16 THREAD RIVET NUT
3	352476	352476	1	FAN END BELT COVER

NOTES:

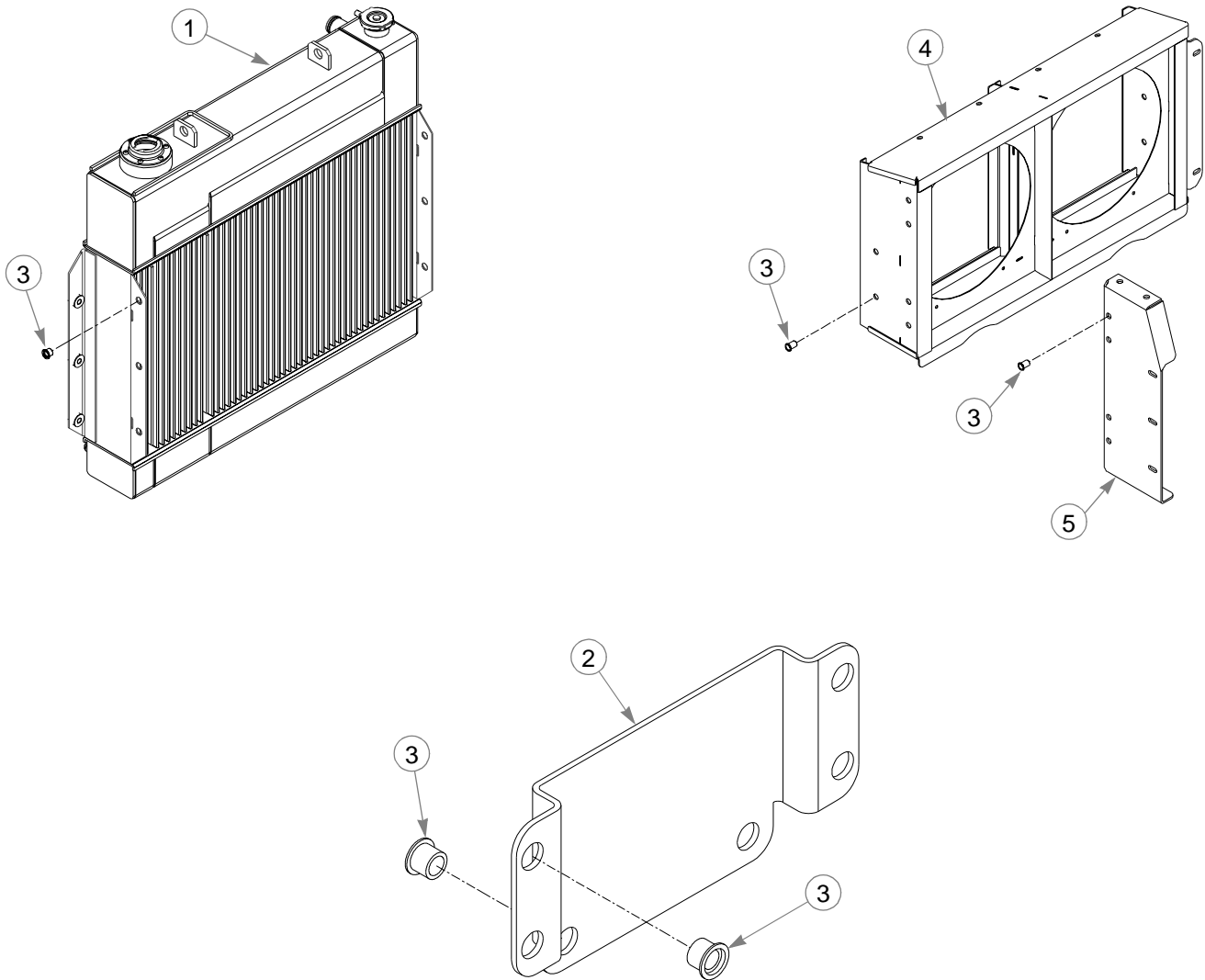
Seat Support Rivet Nut Installation



INDEX NO.	SERVICE PART NO.	MFG. PART NO.	QTY.	DESCRIPTION
1	333492	333492	1	SEAT SUPPORT
2	808493	808493	8	3/8-16 THREAD RIVET NUT

NOTES:

Cooling System Rivet Nut Installation

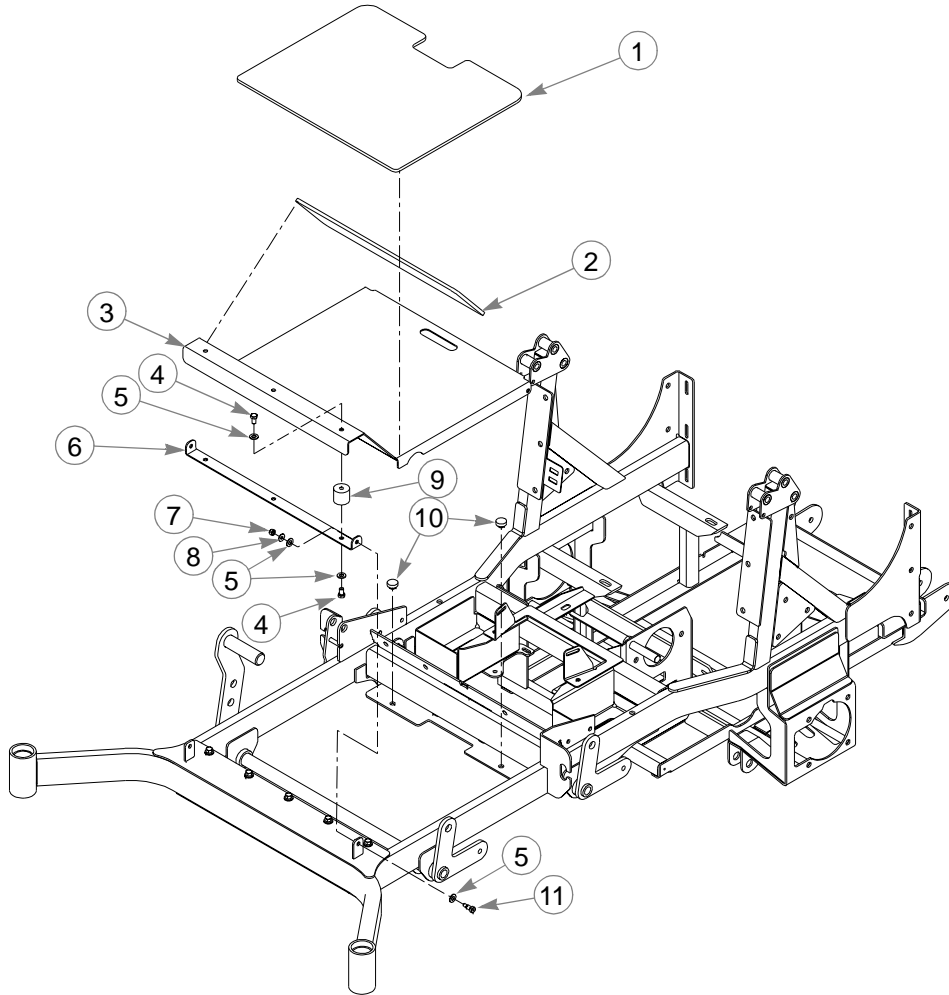


INDEX NO.	SERVICE PART NO.	MFG. PART NO.	QTY.	DESCRIPTION
1	101402	791939	1	COOLER PACKAGE
2	338996	338996	1	OVERFLOW BOTTLE MOUNT
3	N/A	808493	24	3/8-16 THREAD RIVET NUT
4	106278	106278	1	DZ RADIATOR SHROUD
5	106641	106641	1	RADIATOR SHROUD HINGE PLATE

NOTES:

1. Service part includes rivet nuts.

Foot Rest Assembly



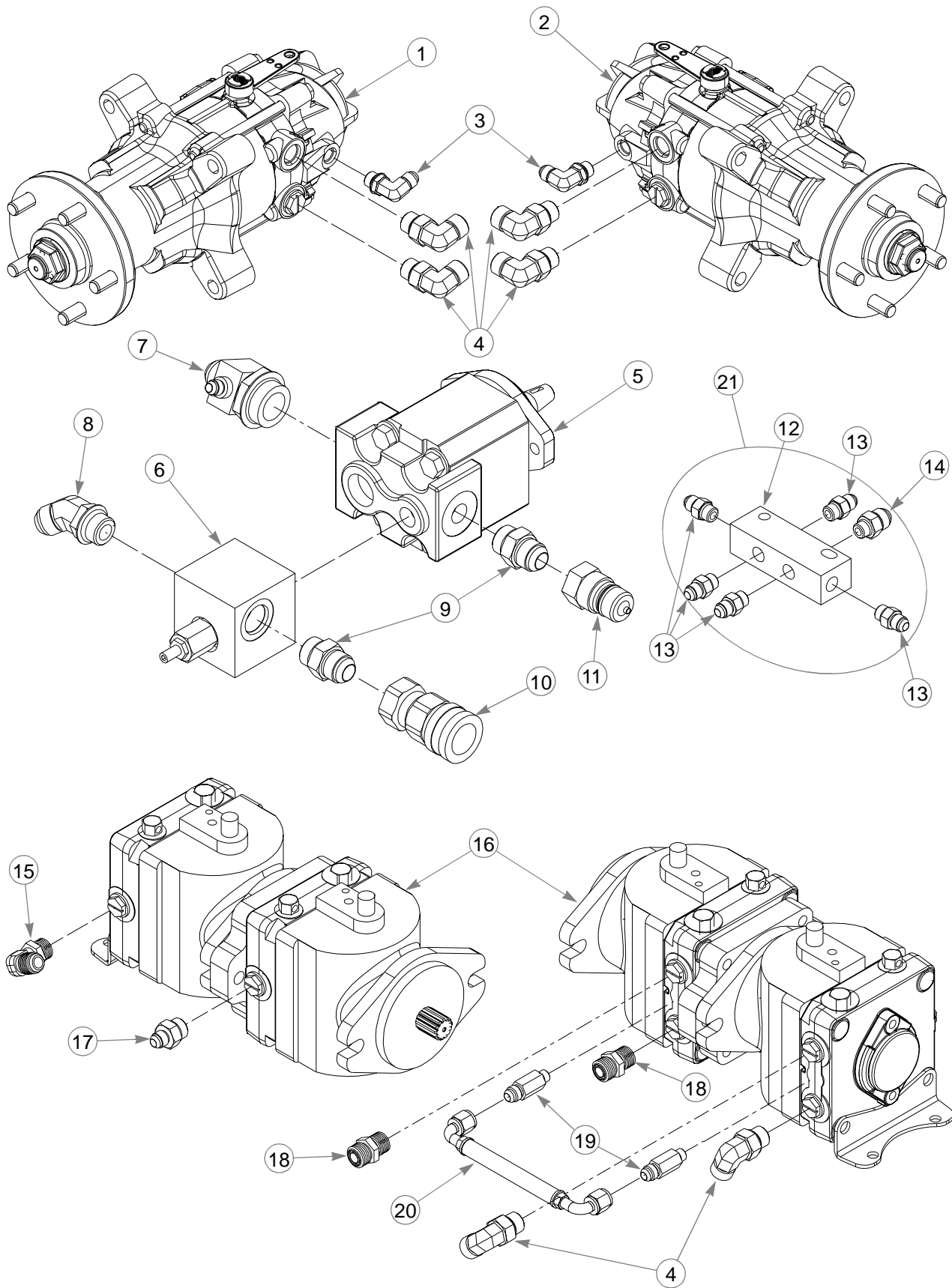
INDEX NO.	SERVICE PART NO.	MFG. PART NO.	QTY.	DESCRIPTION
1	795104	795104	1	FOOTPAN HORIZONTAL SOUNDMAT
2	795088	795088	1	FOOTPAN VERTICAL SOUNDMAT
3	314633	314633	1	FLOORPLATE
4	056069	056069	6	CS .375-16 X .625 HX G5 ZN
5	767954	767954	10	FW .406 X .812 X .060 SAE HD ZN
6	314716	314716	1	PIVOTING SUPPORT
7	058776	058776	2	NT .312-18 HX NL ZNYC
8	713685	713685	2	FW .312 X .75 X .06 ZNYC
9	796276	796276	3	3/8 M/F ROUND VIBRATION MOUNT
10	781880	781880	2	BUMPER
11	063297	063297	2	SB .375 X .500 SH .312-18 TD ZN

NOTES:

Chapter 3 Contents

Hydraulic Component Fittings	3-2
Hydraulic Component Mounting	3-4
Hydraulic Line Connections	3-6

Hydraulic Component Fittings



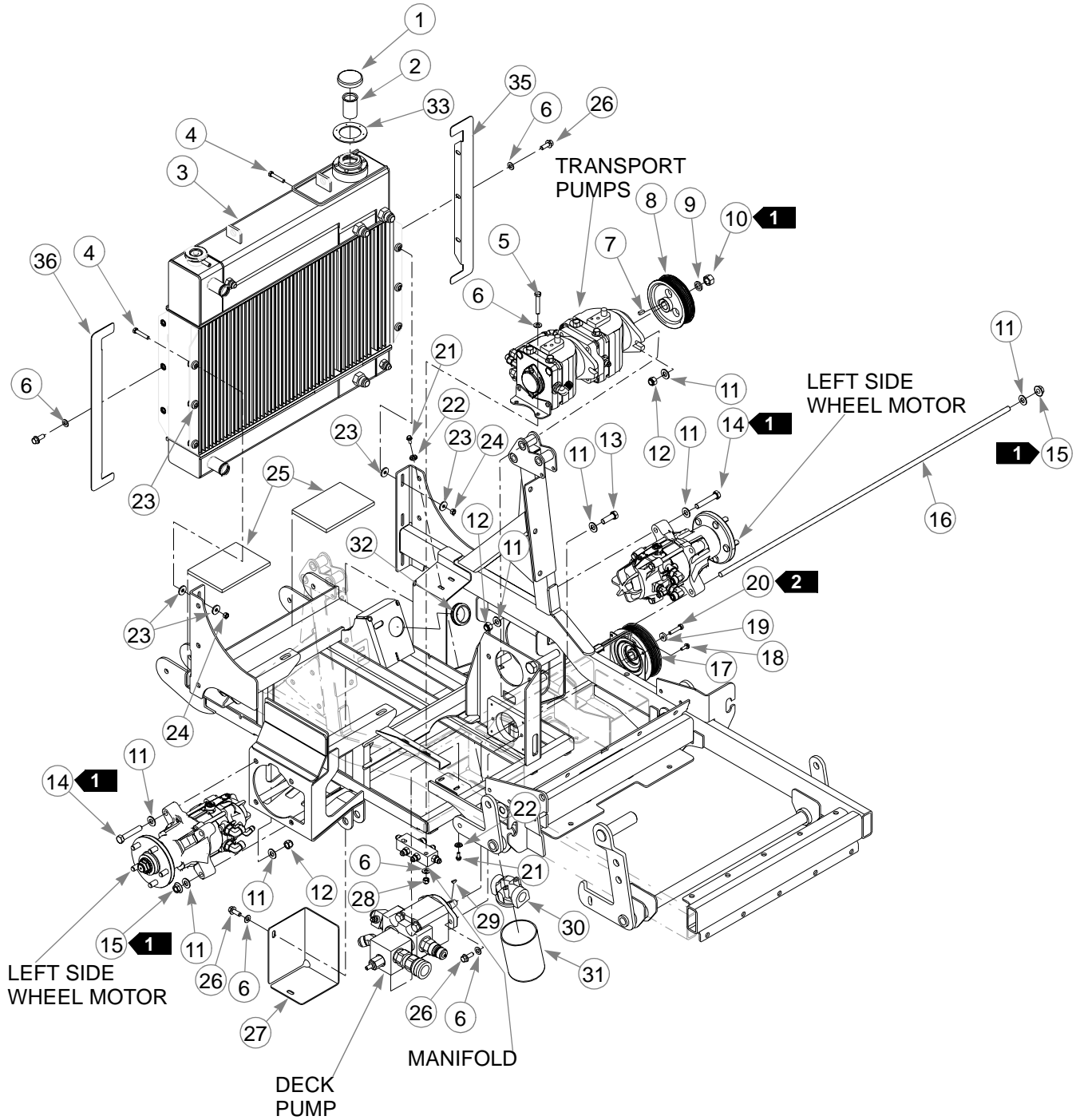
Hydraulic Component Fittings

INDEX NO.	SERVICE PART NO.	MFG. PART NO.	QTY.	DESCRIPTION
1	792069	792069	1	WHEEL MOTOR, PDM RH PORTS
2	794743	794743	1	WHEEL MOTOR, PDM LH PORTS
1	795922	N/A	2	FITTING, 90-6MORB/-6MJIC
1	781542	N/A	6	FITTING, 90-8MORB/-8MSL
5	793877	793877	1	PERMCO PUMP
6	793752	793752	1	VALVE ASSEMBLY-DIESEL
7	795401	795401	1	FITTING, T 20MORB.12MJIC.6MJIC
1	796144	N/A	1	FITTING, 45-12MORB/-12MJIC
1	795930	N/A	2	FITTING, STR - 12MORB/-12MJIC
1	796110	N/A	1	FITTING,QC-12FORB/-12F
1	796128	N/A	1	FITTING,QC-12FORB/-12M
2	796284	N/A	1	CASE DRAIN MANIFOLD
2	779132	N/A	5	FITTING, STR-6MORB/-6JIC
2	796706	N/A	1	FITTING, STR-6MORB/-8MORB
1	771311	N/A	1	FITTING, 90-8MORB/-8MJIC
16	792200	792200	1	HYDRO-GEAR TANDOM PUMP
1	795914	N/A	1	FITTING, STR-6MJIC/-8MORB
1	781534	N/A	2	FITTING, STR-8MORB/-8MSL
1	771303	N/A	2	FITTING, STR-4MORB/-6MJIC
1	796060	N/A	1	HOSE,LP PUMP TO PUMP
1	796292	N/A	1	CASE DRAIN MANIFOLD

NOTES:

1. Included in 794727 Hydraulic Kit.
2. Included in Item 21 (796292 Case Drain Manifold)

Hydraulic Component Mounting



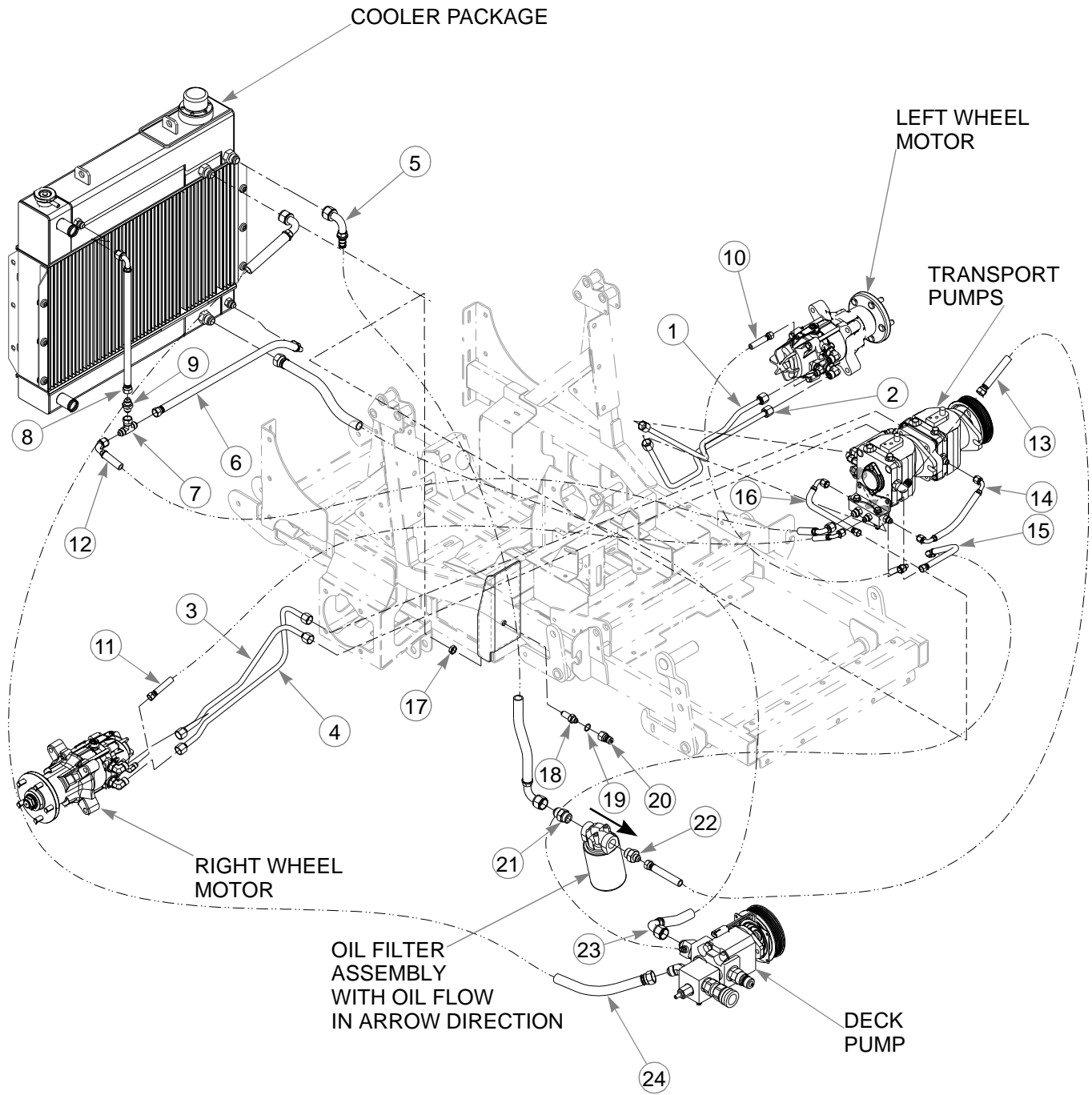
Hydraulic Component Mounting

INDEX NO.	SERVICE PART NO.	MFG. PART NO.	QTY.	DESCRIPTION
1	799148	799148	1	OIL RESERVOIR CAP
2	032771	032771	1	STRAINER
3	791939	791939	1	COOLER PACKAGE
4	050161	050161	6	CS .312-18 X 1.75 HX G5 ZNYC
5	056036	056036	2	CS .375-16 X 2.25 HX G5 ZNYC
6	767954	767954	14	FW .406 X .812 X .060 SAE HD ZN
7	712372	712372	1	1/4 SQ X 0.66 LONG KEY
8	794263	794263	1	8 GROOVE MIRCO V PULLEY
9	028118	028118	1	FW .625 X 1.00 X .134 ZNYC
10	021634	021634	1	NT .625-18 HX PN
11	767962	767962	16	FW .531 X 1.063 X .090 SAE HD ZN
12	781567	781567	6	NT .50-13 HX LK NY ZNYC
13	074252	074252	2	CS .500-13 X 1.50 HX G5 ZNYC
14	721910	721910	4	CS .500-13 X 2.75 HX G5 ZNYC
15	795153	795153	4	NT .50-13 SERRATED HX FLANGE
16	794958	794958	2	AT,1/2-13 X 42.00" B7 ZINC
17	794438	794438	1	DECK PUMP CLUTCH
18	016147	016147	4	CS .250-20 X .750 HXFLK ZNYC
19	795492	795492	1	FW .32 X .875 X .187
20	795518	795518	1	CS .312-24 X 1.50 HX W/ LK PATCH
21	029868	029868	2	CS .250-20 X .625 HXFLK ZNYC
22	782029	782029	2	LW .250 INT-EXT TOOTH Z
23	712927	712927	12	FW .344 X 1.00 X .12 HRD ZNYC
24	058776	058776	6	NT .312-18 HX NL ZNYC
25	795567	795567	3	DIESEL Z FUEL TANK FOAM
26	029751	029751	10	CS .375-16 X 1.00 HXFLK ZNYC
27	350850	350850	1	FILTER GUARD
28	086660	086660	2	NT .375-16 HX LK NY
29	015719	015719	1	WOODRUFF .156X.625 SAE# 6
30	783928	783928	1	FILTER HEAD ZAF SERIES
31	783936	783936	1	FILTER ELEMENT
32	796367	796367	1	1.625 X 2.00 X .188 RUBBER GROMMET
33	798959	798959	1	RUBBER GASKET
34	794891	N/A	6	ISOLATOR-GROMMET
35	106393	106393	1	FAN SHROUD ANGLE MOUNT LH
36	106237	106237	1	FAN SHROUD ANGLE MOUNT RH

NOTES:

1. Torque to 75 ft. lbs.
2. Torque to 25-28 ft. Lbs.
3. Hydraulic system capacity: Fill reservoir to 3.5" below top of fill neck—12 Qts.
4. Electric clutch burnishing procedure: With engine at half throttle—approximately 2400 RPM—engage clutch for 15 seconds, then disengage for 15 seconds for 10 cycles.

Hydraulic Line Connections



Hydraulic Line Connections

INDEX NO.	SERVICE PART NO.	MFG. PART NO.	QTY.	DESCRIPTION
1	795856	795856	1	MOTOR TO PUMP TUBE
2	795872	795872	1	MOTOR TO PUMP TUBE
3	796185	796185	1	MOTOR TO PUMP TUBE
4	796193	796193	1	MOTOR TO PUMP TUBE
5	796086	N/A	1	HOSE,LP COOLER TO FILTER
6	796771	N/A	1	HOSE
7	796789	N/A	1	FITTING
8	796821	N/A	1	HOSE
9	796797	N/A	1	RELIEF VALVE, 10PSI -8MJIC/-8MJIC
10	796011	N/A	1	HOSE,LP CASE-DRAIN LH MTR
11	796029	N/A	1	HOSE,LP CASE-DRAIN RH MTR
12	796052	N/A	1	HOSE,LP CASE-DRAIN RES
13	796102	N/A	1	HOSE,LP FILTER TO PUMP
14	796045	N/A	1	HOSE,LP CASE-DRAIN PUMP
15	796078	N/A	1	HOSE
16	796037	N/A	1	HOSE,LP CASE-DRAIN BH
17	795989	N/A	1	NT-6 BULKHEAD
18	795971	N/A	1	FITTING,STRBH-6MJIC/-6MJIC
19	795997	N/A	1	06 O-RING
20	796003	N/A	1	FITTING, QC-6FORB/-6M
21	795930	N/A	1	FITTING, STR - 12MORB/-12MJIC
22	796151	N/A	1	FITTING,STR-8MJIC/-12MORB
23	796177	N/A	1	HOSE,LP COOLER TO PUMP
24	796169	N/A	1	HOSE,LP VALVE TO COOLER

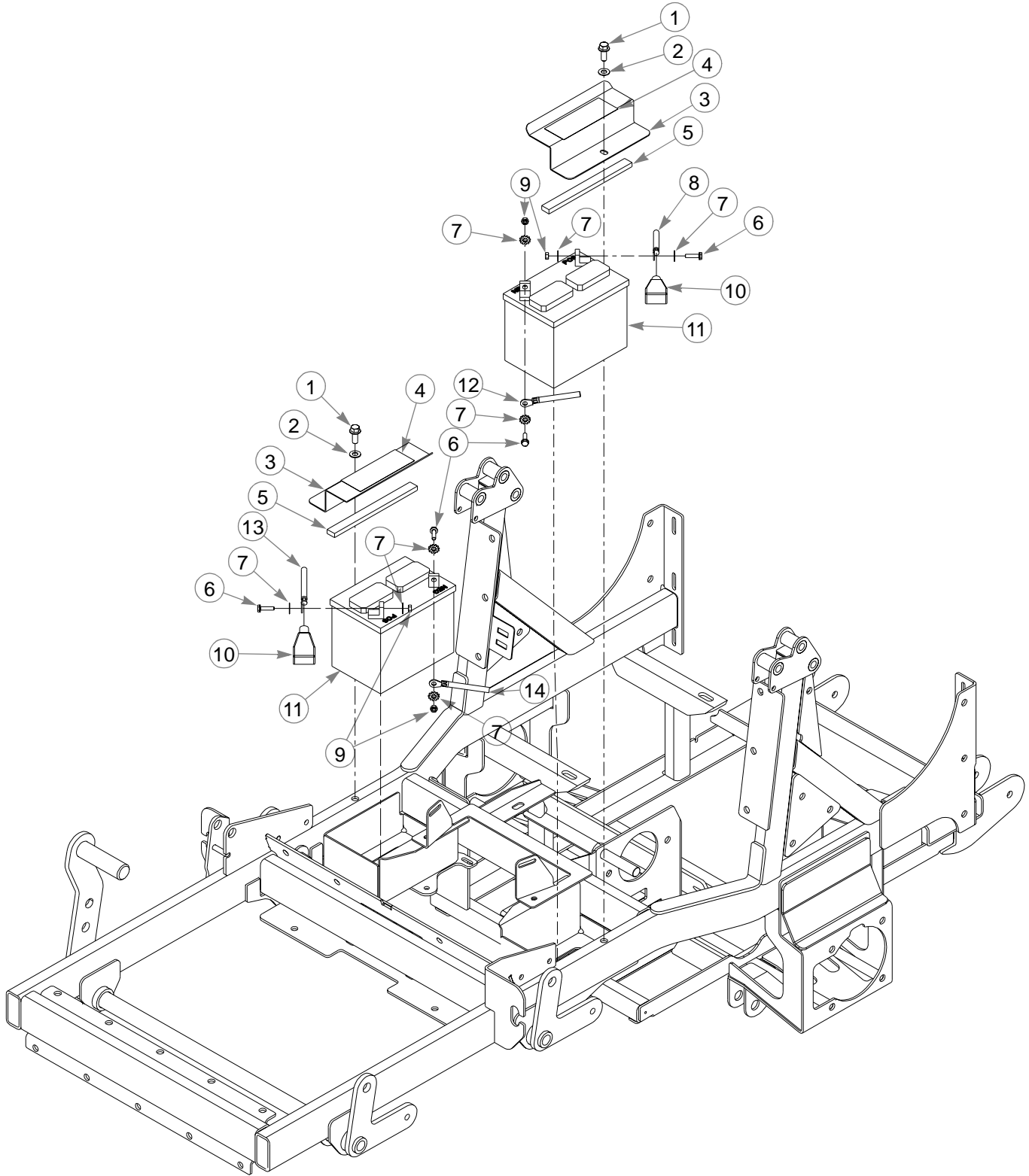
NOTES:

1. Items 5 through 24 included with 794727 Diesel Z Tractor Hydro Kit.

Chapter 4 Contents

Battery Installation	4-2
Deck Lift Assembly	4-4
Steering and Park Brake Assembly	4-6

Battery Installation



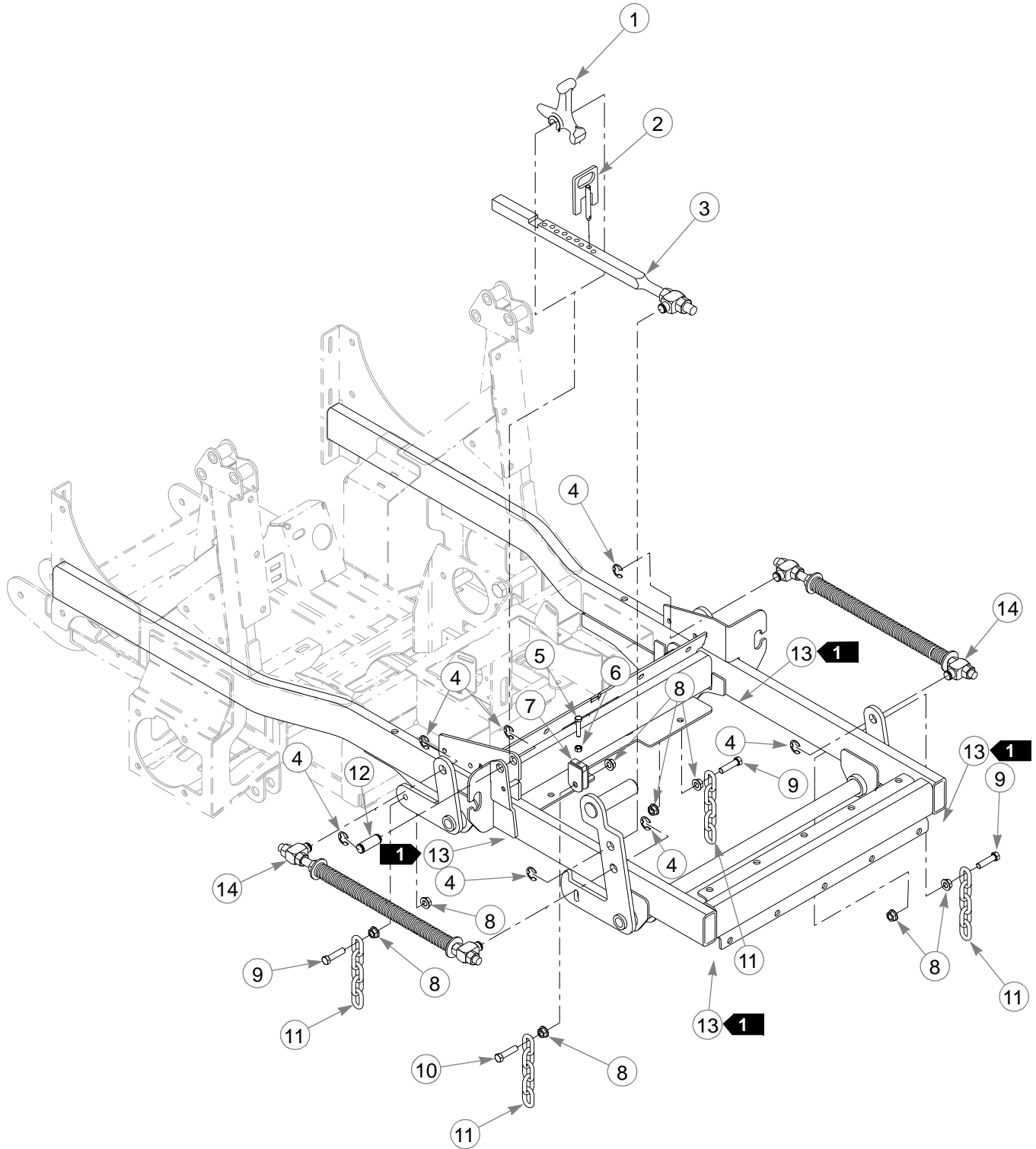
Battery Installation

INDEX NO.	SERVICE PART NO.	MFG. PART NO.	QTY.	DESCRIPTION
1	029751	029751	2	CS .375-16 X 1.00 HXFLK ZNYC
2	767954	767954	2	FW .406 X .812 X .060 SAE HD ZN
3	351288	351288	2	BATTERY COVER
4	722199	722199	2	2" WIDE SCOTCH POLYURETHANE
5	713198	713198	2	SEAL 3/8 X 3/4 X 8.50 LG
6	016154	016154	4	CS .250-20 X 1.00 HXFLK ZNYC
7	029868	029868	8	LW .250 INT-EXT TOOTH ZNYC
8	793216	793216	1	24" POSITIVE BATTERY CABLE
9	024927	024927	4	NT .250-20 HX GR.5 ZNYC
10	771428	771428	2	RED BATTERY CABLE BOOT
11	740696	740696	2	BATTERY VU1LH-8
12	796219	796219	1	36" NEGATIVE BATTERY CABLE
13	786632	786632	1	30" POSITIVE BATTERY CABLE
14	785071	785071	1	NEGATIVE BATTERY CABLE

NOTES:

1. When performing service on mower, disconnect battery ground cables and do not reconnect to batteries until engine is ready to be started. See Owners Manual.

Deck Lift Assembly



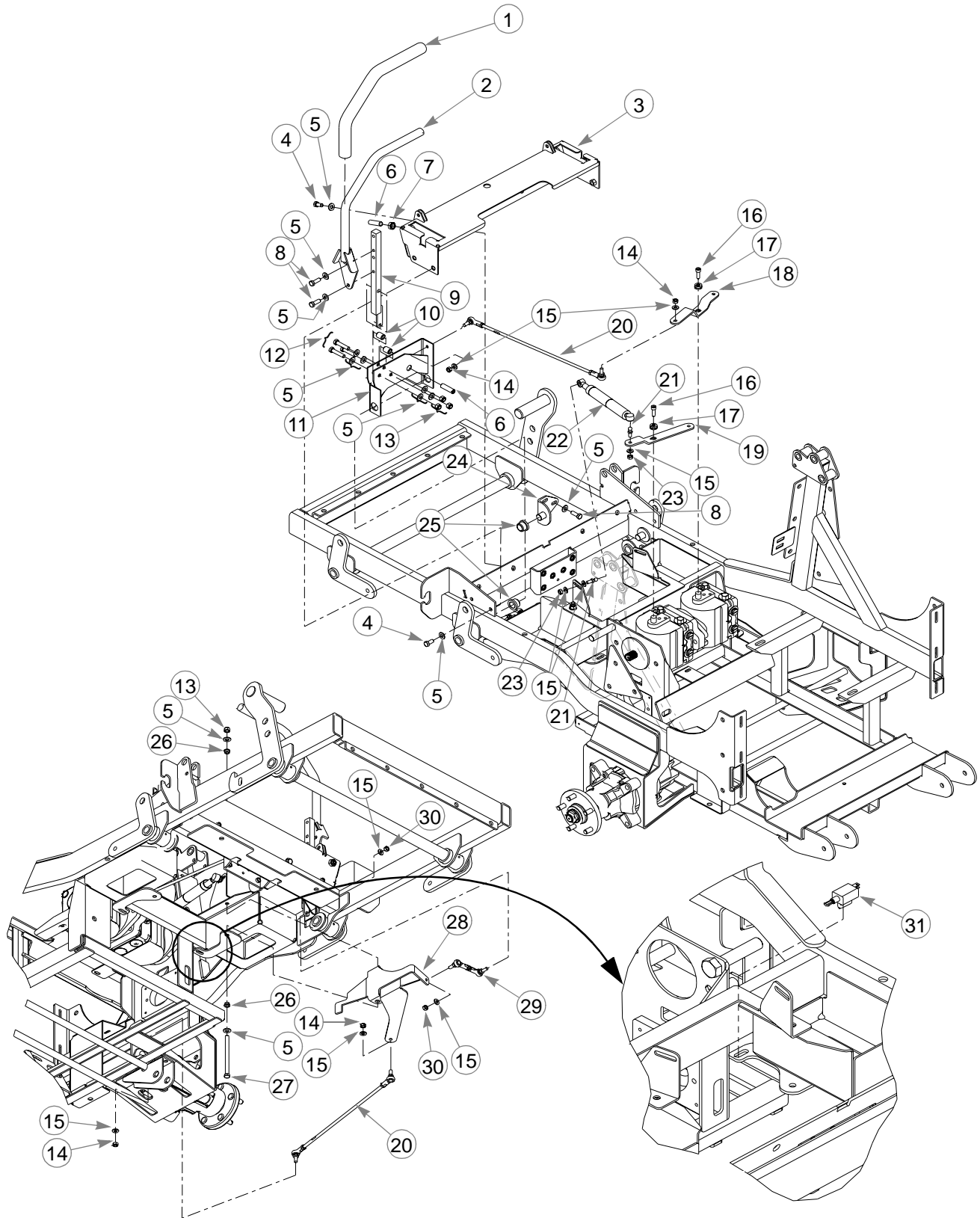
Deck Lift Assembly

INDEX NO.	SERVICE PART NO.	MFG. PART NO.	QTY.	DESCRIPTION
1	348318	348318	1	STOP HANDLE
2	348284	348284	1	HEIGHT ADJUSTMENT STOP
3	783001	783001	1	DECK LIFT INDICATOR
4	781294	781294	7	E CLIP, 1.00 X .625 X .050
5	756270	756270	1	CS .312-18 X 1.50 FLTHR GR5 ZNYC
6	034272	034272	1	NT .312-18 HX G5 ZNYC
7	348458	348458	1	DECK LEVELER YOKE
8	704643	704643	8	NT .437-14 HX FLG ZN
9	055749	055749	3	CS .437-14 X 1.75 HX G5 ZNYC
10	781831	781831	1	CS .437-14 X 1.75 FULTH G5 ZNYC
11	348391	348391	4	DECK LIFT CHAIN
12	781229	781229	1	CE .750 X 2.25 X 1.75 HEADLESS
13	015495	015495	4	STRAIGHT GREASE FITTING
14	782995	782995	2	DECK LIFT SPRING

NOTES:

1. Apply grease at zerks, see owner's manual.

Steering and Park Brake Assembly



Steering and Park Brake Assembly

INDEX NO.	SERVICE PART NO.	MFG. PART NO.	QTY.	DESCRIPTION
1	1	781260	N/A	2 STEERING BAR GRIP
2	348755	348755	2	STEERING BAR
3	348987	348987	1	STEERING CONTROL PANEL
4	055822	055822	8	CS .375-16 X .75 HX G5 ZNYC
5	767954	767954	3	FW .406 X .812 X .060 SAE HD ZN
6	781716	781716	4	SS .500-13 X 2.00 SH ZNYC
7	053199	053199	2	NT .500-13 HX JAM ZNYC
8	036244	036244	10	CS .375-16 X 1.00 HX G5 ZNYC
9	348946	348946	2	STEERING ARM MOUNT
10	348862	348862	4	STEERLEVER BUSHING
11	348888	348888	1	LEFT STEERLEVER SUPPORT
	348714	348714	1	RIGHT STEERLEVER SUPPORT
12	705178	705178	6	CS .375-16 X 1.75 HX G5 ZNYC
13	086660	086660	8	NT .375-16 HX LK NY
14	023655	023655	8	NT .312-24 HX NL ZNYC
15	768523	768523	12	FW .343 X .687 X .051/.080 HD ZNYC
16	795377	795377	2	CS M 8-1.25 X 25 SH BO NYLK
17	795369	795369	2	HYDRO GEAR PUMP ARM RETAINER
18	333344	333344	1	RIGHT SIDE PUMP ARM
19	333351	333351	1	LEFT SIDE PUMP ARM
20	781286	781286	4	PUMP ROD ADJUSTER ASSEMBLY
21	781922	781922	4	DAMPER BALL STUD
22	795351	795351	2	STEERING DAMPER
23	034272	034272	4	NT .312-18 HX G5 ZNYC
24	348797	348797	2	ADJUSTABLE PIVOT
25	781153	781153	4	BUSHING
26	765339	765339	4	IGUS#MFI-0608_05 BUSHING
27	748913	748913	2	CS .375-16 X 5.50 GR5 ZN
28	351171	351171	1	LEFT BRAKE ARM
	351168	351168	1	RIGHT BRAKE ARM
29	781583	781583	2	BRAKE ROD ASSEMBLY
30	041152	041152	4	NT .312-24 HX ZNYC
31	795625	795625	2	SNAP MOUNT PLUNGER SWITCH

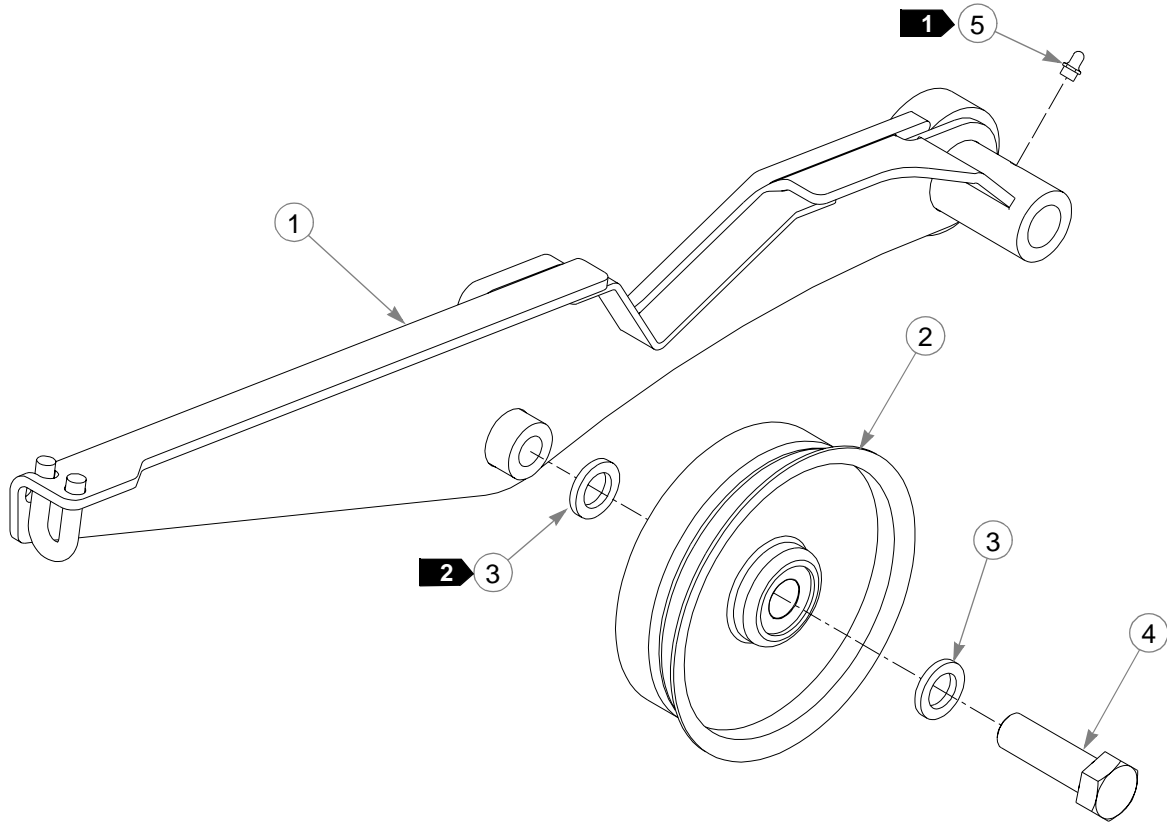
NOTES:

2. Included with item 1 (781260 Steering Bar).

Chapter 5 Contents

Engine Idler	5-2
Air Cleaner Breakdown	5-3
Seat Support Assembly	5-4
Cooler Assembly	5-6
Cooler Assembly	5-7
Muffler Assembly	5-9
Engine Assembly	5-10
Engine Installation	5-12
Engine Installation	5-16
Fuel Tank Assemblies	5-20
Fuel System Installation	5-22
Instrument Panel Assembly	5-24
Electrical Schematic—797688	5-26
Electrical Schematic—795336	5-28
Electrical Schematic—795831	5-30

Engine Idler

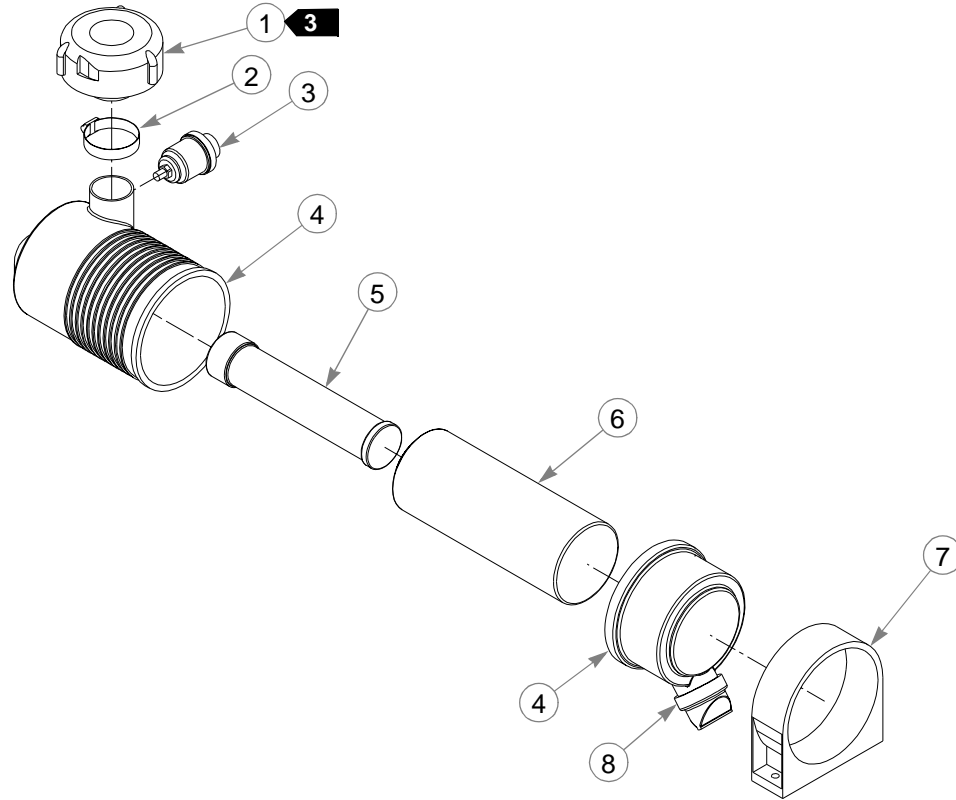


INDEX NO.	SERVICE PART NO.	MFG. PART NO.	QTY.	DESCRIPTION
1	335638	335638	1	ARM IDLER
2	792275	792275	1	IDLER BACKSIDE PULLEY
3	028118	028118	2	FW .625 X 1.00 X .134 ZNYC
4	016642	016642	1	CS .625-11 X 2.00 HX G5 ZNYC
5	015495	015495	1	STRAIGHT GREASE FITTING

NOTES:

1. Apply grease to zerk.
2. Install as needed for idler to clear arm.

Air Cleaner Breakdown

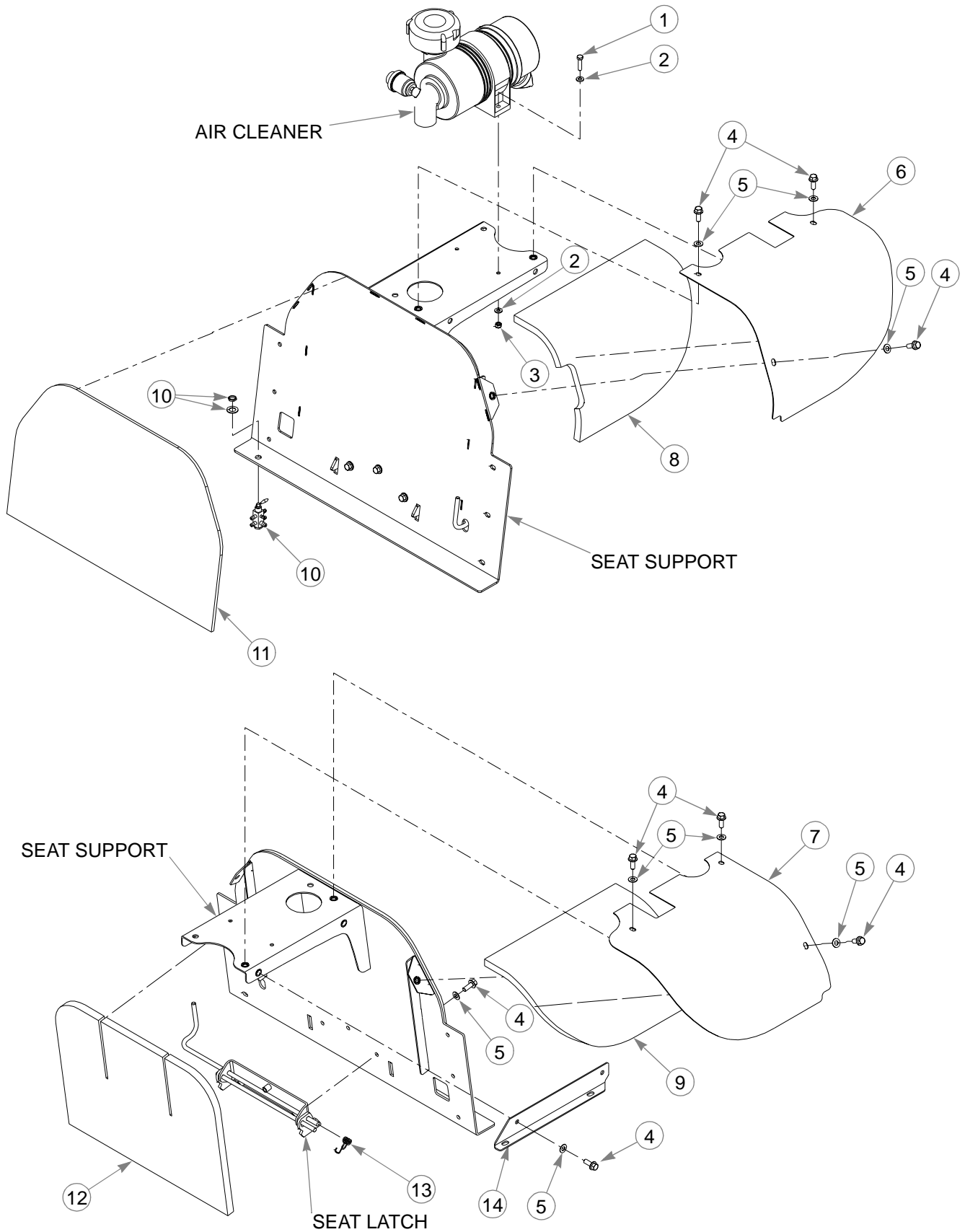


INDEX NO.	SERVICE PART NO.	MFG. PART NO.	QTY.	DESCRIPTION
	1	775353	1	CENTRIFICAL PRECLEANER
1	2	057661	1	HOSE CLAMP
	3	795138	1	AIR FILTER INDICATOR
	4	782763	1	AIR CLEANER
	5	785279	1	AIR FILTER SAFETY ELEMENT
2	6	785261	1	AIR FILTER MAIN ELEMENT
	7	785741	1	MOUNTING BAND
2	8	763318	1	VACUATOR VALVE

NOTES:

1. Included with Item 1 (775353 Centrifical Precleaner).
2. Included with item 4 (782763 Air Cleaner).
3. Orient outlet of precleaner to rear of mower as shown.

Seat Support Assembly

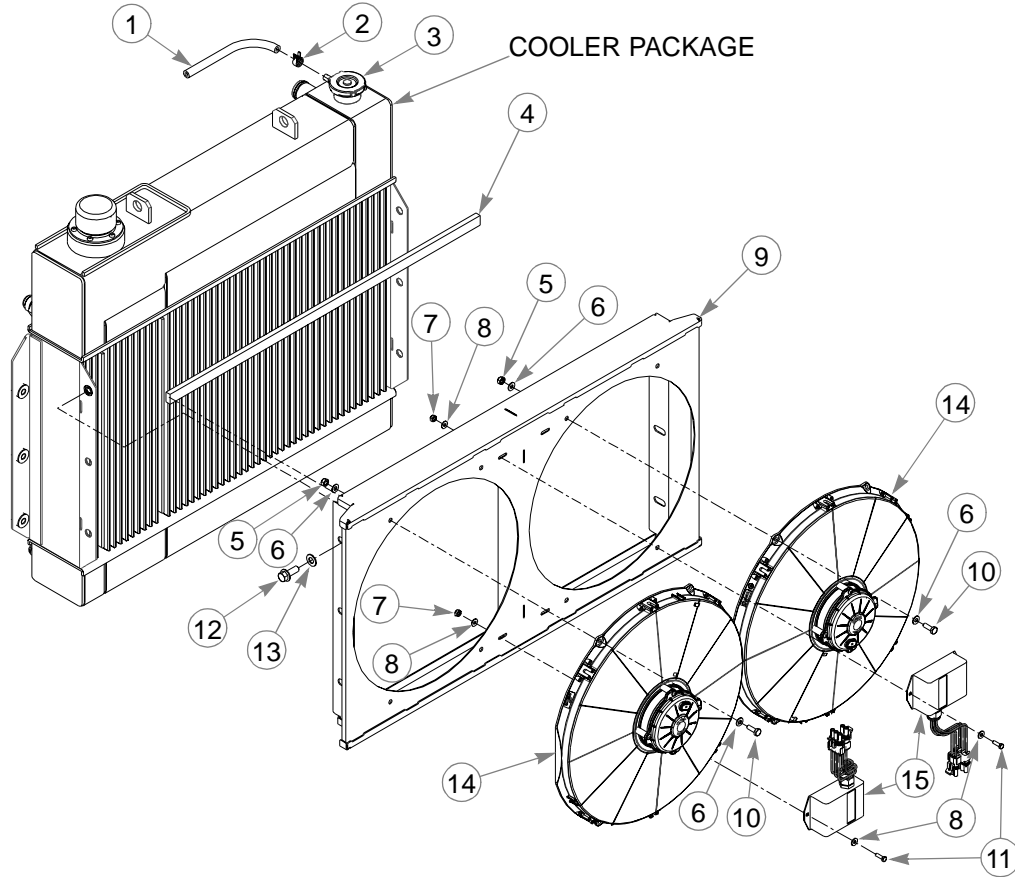


Seat Support Assembly

INDEX NO.	SERVICE PART NO.	MFG. PART NO.	QTY.	DESCRIPTION
1	079186	079186	2	CS .312-18 X 1.25 HX G5 ZNYC
2	768523	768523	4	FW .343 X .687 X .051/.080 HD ZNYC
3	058776	058776	2	NT .312-18 HX NL ZNYC
4	029751	029751	11	CS .375-16 X 1.00 HXFLK ZNYC
5	767954	767954	11	FW .406 X .812 X .060 SAE HD ZN
6	335133	335133	1	DIESEL Z LEFT SIDE HOOD
7	334987	334987	1	DIESEL Z RIGHT SIDE HOOD
8	795716	795716	1	LEFT SIDE ENGINE COVER FOAM
9	795708	795708	1	RIGHT SIDE ENGINE COVER FOAM
10	795542	795542	1	FUEL VALVE
11	795294	795294	1	SEAT SUPPORT SOUNDMAT
12	795724	795724	1	INNER SEAT SUPPORT CENTER FOAM
13	795583	795583	1	TORSION SPRING
14	106021	106021	1	MUFFLER MOUNT BRACKET

NOTES:

Cooler Assembly 1

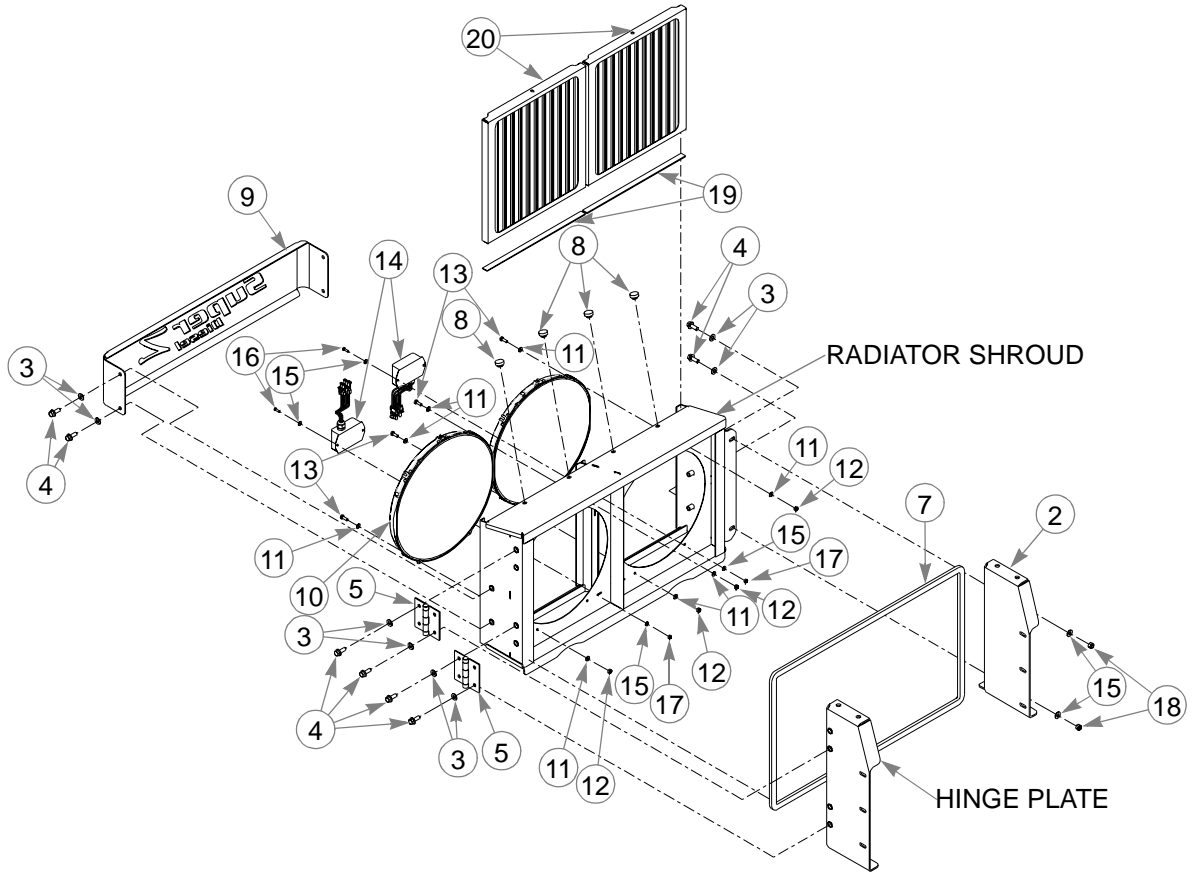


INDEX NO.	SERVICE PART NO.	MFG. PART NO.	QTY.	DESCRIPTION
1	791400	791400	1	HOSE 36" LONG
2	041491	041491	1	HOSE CLAMP
3	076919	N/A	1	RADIATOR CAP—14 ±2 LB
4	713198	713198	1	SEAL 3/8 X 3/4 28" LONG
5	068551	068551	8	NT .250-20 HX NL ZNYC
6	017079	017079	16	FW .250 X .560 X .04 SAE ZNYC
7	059832	059832	4	NT #10-24 HX NL ZN
8	035691	035691	8	FW .210 X .500 X .046 ZNYC
9	344598	344598	1	SHROUD
10	055939	055939	8	CS .250-20 X .750 HX G5 ZNYC
11	714998	714998	4	MS #10-24 X .625 HX ZN
12	029751	029751	6	CS .375-16 X 1.00 HXFLK ZNYC
13	767954	767954	6	FW .406 X .812 X .060 SAE HD ZN
14	792812	792812	2	ELECTRIC COOLING FAN (16")
15	795500	795500	2	FAN REVERSAL SWITCH

NOTES:

1. For mowers prior to serial number 05080370.

Cooler Assembly 1

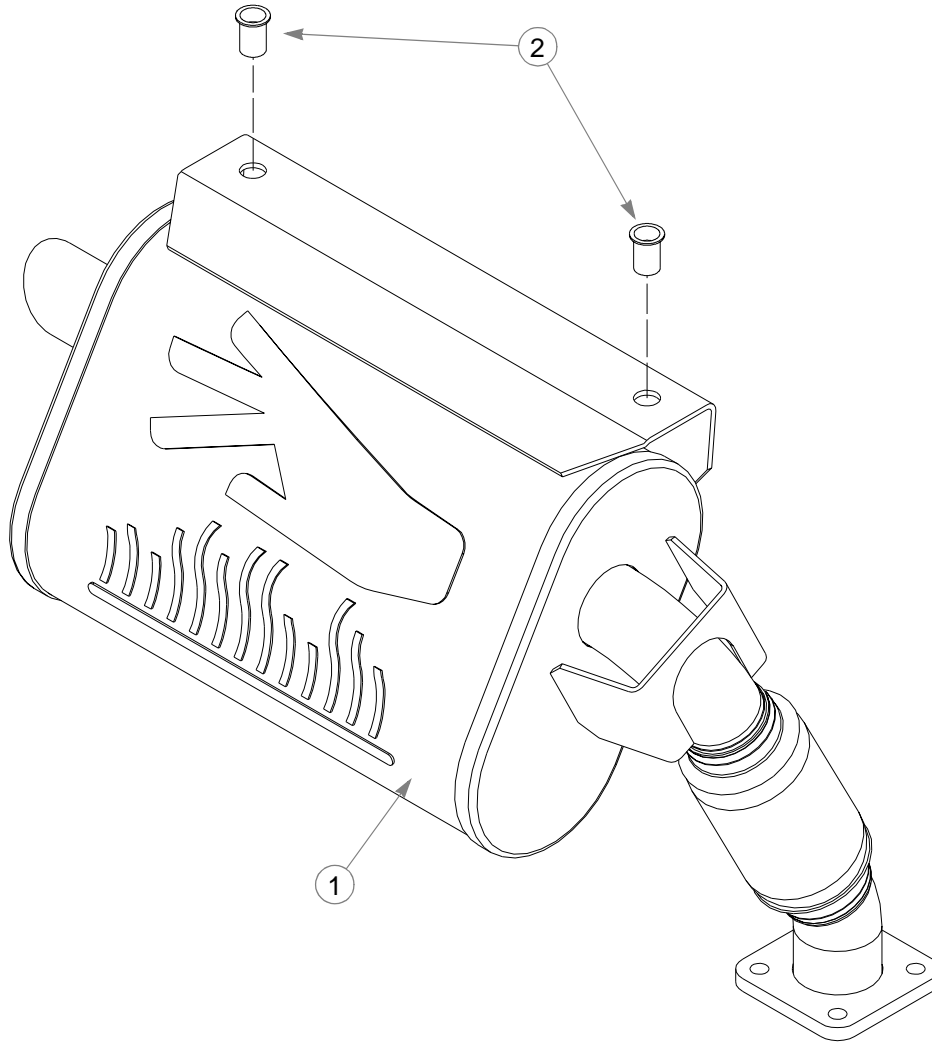


INDEX NO.	SERVICE PART NO.	MFG. PART NO.	QTY.	DESCRIPTION
1	106641	N/A	1	RADIATOR SHROUD HINGE PLATE
2	106658	106658	1	RADIATOR SHROUD LATCH PLATE
3	767954	767954	16	FW .406X .812 X.060 SAE
4	029751	029751	14	CS .375-16X1.000 HXFLK
5	798884	798884	2	ENGINE GUARD HINGE
6	106278	N/A	1	DZ RADIATOR SHROUD
7	713198	713198	1	SEAL 3/8 X 3/4
8	781880	781880	4	BUMPER, .500X 1.00X .31
9	106492	106492	1	REAR DZ W/RS GUARD
10	792812	792812	2	ELECTRIC COOLING FAN 16
11	017079	017079	16	FW .250X .560X.04 SAE Z
12	068551	068551	8	NT .250-20 HXZY NL
13	055939	055939	8	CS .250-20X .750 HX G5
14	795500	795500	2	FAN REVERSAL MOUDULE
15	035691	035691	8	FW .210X .500X.046 ZNYC
16	714998	714998	4	MS #10-24 X .625 HX ZN
17	059832	059832	4	NT #10-24 HX NL ZN
18	086660	086660	2	NT .375-16 HXZY NL
19	033035	033035	2	WEATHERSTRIP .125 X .75
20	103644	103644	2	RADIATOR SCREEN

NOTES:

1. Used on mowers with serial number 05080370 and higher.

Muffler Assembly

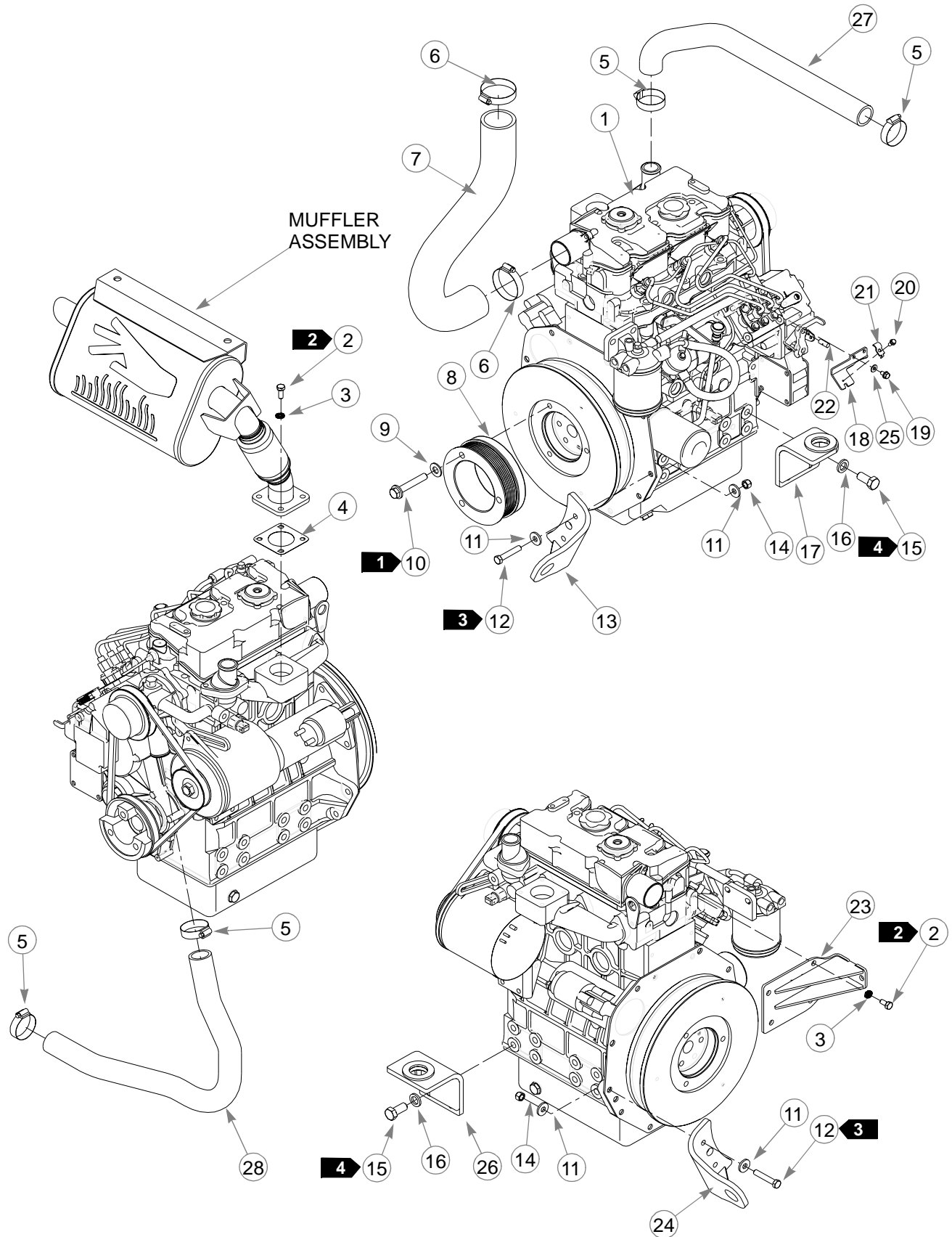


INDEX NO.	SERVICE PART NO.	MFG. PART NO.	QTY.	DESCRIPTION
1 1	797886		1	SDZ MUFFLER KIT
2	N/A	808493	2	RIVET NUT, 3/8-16 THREAD

NOTES:

1. For mowers prior to serial number 05080370, order kit #799403.

Engine Assembly



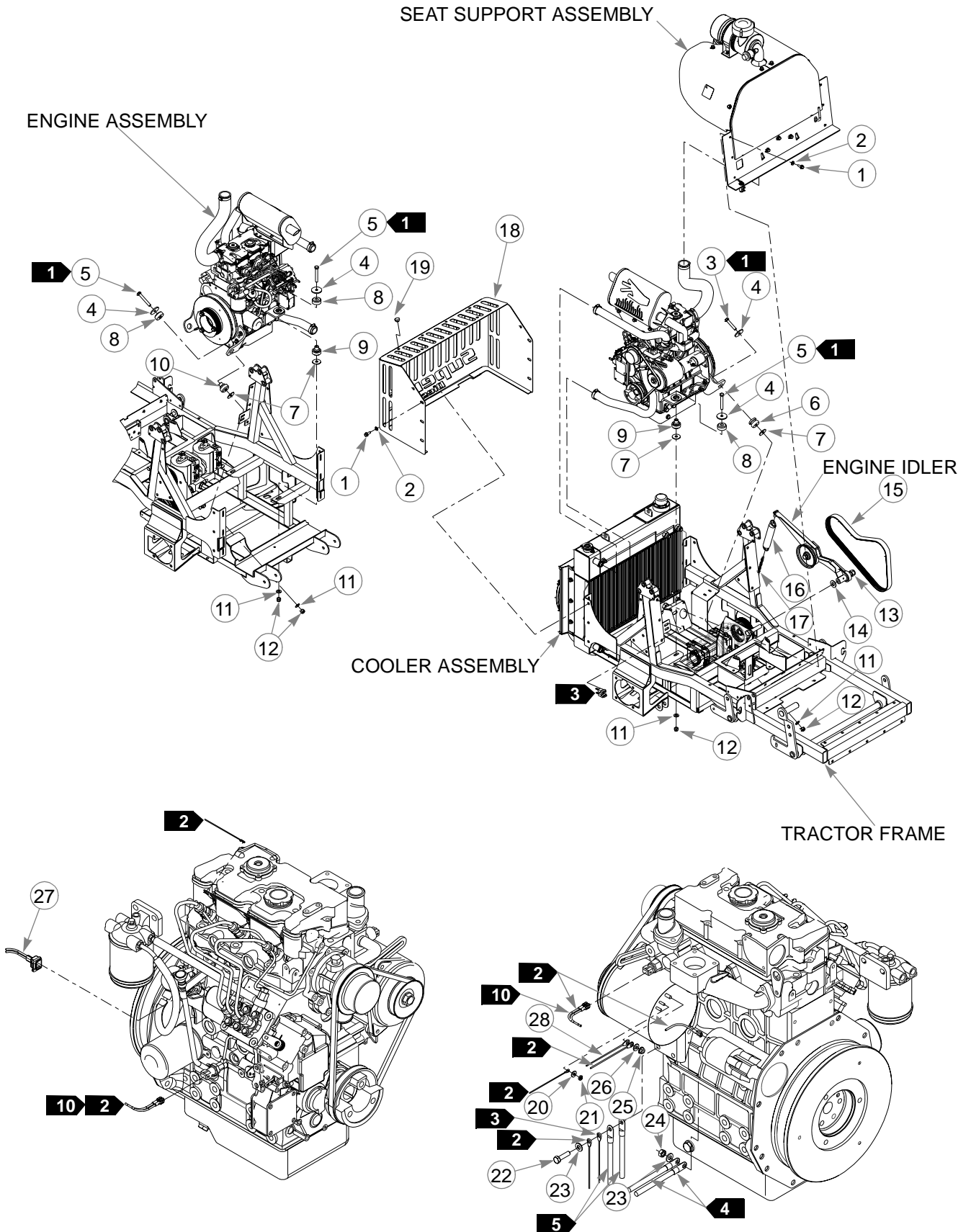
Engine Assembly

INDEX NO.	SERVICE PART NO.	MFG. PART NO.	QTY.	DESCRIPTION
1	792143	792143	1	CATERPILLER 3013C ENGINE
2	720177	720177	8	CS M 8-1.25 X 20 10.9 HX FL ZNYC
3	796540	796540	8	LW .312 NORD-LOCK NL8
4	795765	795765	1	CAT 3013C EXHAUST GASKET
5	713040	713040	4	HOSE CLAMP
6	057661	057661	2	HOSE CLAMP
7	792432	792432	1	DIESEL Z AIR CLEANER HOSE
8	794271	794271	1	8 GROOVE MIRCO V PULLEY
9	767962	767962	3	FW .531 X 1.063 X .090 SAE HD ZN
10	794164	794164	3	CS M12-1.75 X 70 HX FL ZNYC
11	712919	712919	8	FW .406 X 1.00 X .12 HRD ZNYC
12	799387	799387	4	CS .375-16 X 2.00 G8ZY
13	314682	314682	1	RIGHT SIDE FRONT ENGINE MOUNT
14	086660	086660	4	NT .375-16 HX LK NY
15	793729	793729	8	M14-1.50 X 30 ZNYC
16	028118	028118	8	FW .625 X 1.00 X .134 ZNYC
17	330670	330670	1	FAN END ENGINE MOUNT
18	338962	338962	1	THROTTLE CABLE SUPPORT
19	739144	739144	2	CS M 6-1.0 X 12 10.9 HXFL ZN
20	060731	060731	1	CS 10-24 X .500 HXFLK ZNYC
21	011841	011841	1	CONDUIT CLIP
22	346957	346957	1	THROTTLE CABLE PIN
23	102525	102525	1	FUEL FILTER MOUNT
24	314666	314666	1	LEFT SIDE FRONT ENGINE MOUNT
25	017079	017079	2	FW .250 X .560 X .04 SAE ZNYC
26	314641	314641	1	FAN END ALTERNATOR SIDE ENGINE MOUNT
27	792416	792416	1	UPPER RADIATOR HOSE
28	792424	792424	1	LOWER RADIATOR HOSE


NOTES:

1. Torque to 55 ft. lbs.
2. Torque to 30 ft.-lbs.
3. Torque to 48 ft. lbs.
4. Torque to 80 ft. lbs.

Engine Installation 12



Engine Installation

INDEX NO.	SERVICE PART NO.	MFG. PART NO.	QTY.	DESCRIPTION
1	029751	029751	12	CS .375-16 X 1.00 HXFLK ZNYC
2	767954	767954	12	FW .406 X .812 X .060 SAE HD ZN
3	721910	721910	1	CS .500-13 X 2.75 HX G5 ZNYC
4	344267	344267	4	FW .510 X 2.15 X .187 SPL ZNYC
5	061812	061812	3	CS .500-13 X 3.50 HX G5
6	792366	792366	1	SHOCK MOUNT
7	798603	798603	4	FW .530 X 1.75 X .125 HD ZY
8	798645	798645	3	SHOCK MOUNT REBOUND WASHER
9	798629	798629	2	SHOCK MOUNT BASE
10	798637	798637	1	SHOCK MOUNT BASE WITH SLEEVE
11	767962	767962	4	FW .531 X 1.063 X .090 SAE HD ZN
12	781567	781567	4	NT .50-13 HX LK NY ZNYC
13	061101	061101	1	NT .750-10 HX NL ZN
14	025296	025296	A/R	FW .760 X 1.625 X .08 ZNYC
15	792267	792267	1	8 GROOVE MIRCO V BELT
16	781302	781302	1	IDLER SPRING
17	373191	373191	1	SIDE MOUNT CHAIN
18	350876	350876	1	COOLER GUARD
19	781880	781880	4	BUMPER
20	704932	704932	1	FW .219 X .500 X .048 ZNYC
21	741132	741132	1	NT M5-0.8 HX ZN NYLOC
22	720219	720219	1	CS M 8-1.25 X 30 LG. HXFLG
23	076547	076547	2	FW .344 X .688 X .065 SAE ZNYC
24	782664	782664	1	NT M8-1.25 HX STAINLESS STEEL
25	005231	005231	1	NT M6-1.0-10 HX FLG ZN
26	017079	017079	1	FW .250 X .560 X .04 SAE ZNYC
27	797688	797688	1	WIRE HARNESS
 11	795336	N/A	1	WIRE HARNESS
28	795831	795831	1	DIESEL Z FANS WIRE HARNESS

NOTES:

1. Torque to 73 ft. lbs.
2. Part of Item 27 (795336 or 797688 Wire Harness).
3. Part of Item 28 (795831 Diesel Z Fans Wire Harness).
4. To positive battery terminals.
5. To negative battery terminals.
6. Engine high RPM to be set at 3100±50 with transport pump load only.
7. Engine low idle RPM to be set at 1400±100 with transport pump load only.
8. Engine oil capacity; 6.3 qts. including filter.
9. Engine coolant capacity; 2.8 gal.
10. For mowers with serial numbers higher than 05050778, connect oil and temperature sensor wires as follows:

Oil sensor: connect white with black stripe wire to "M" terminal and

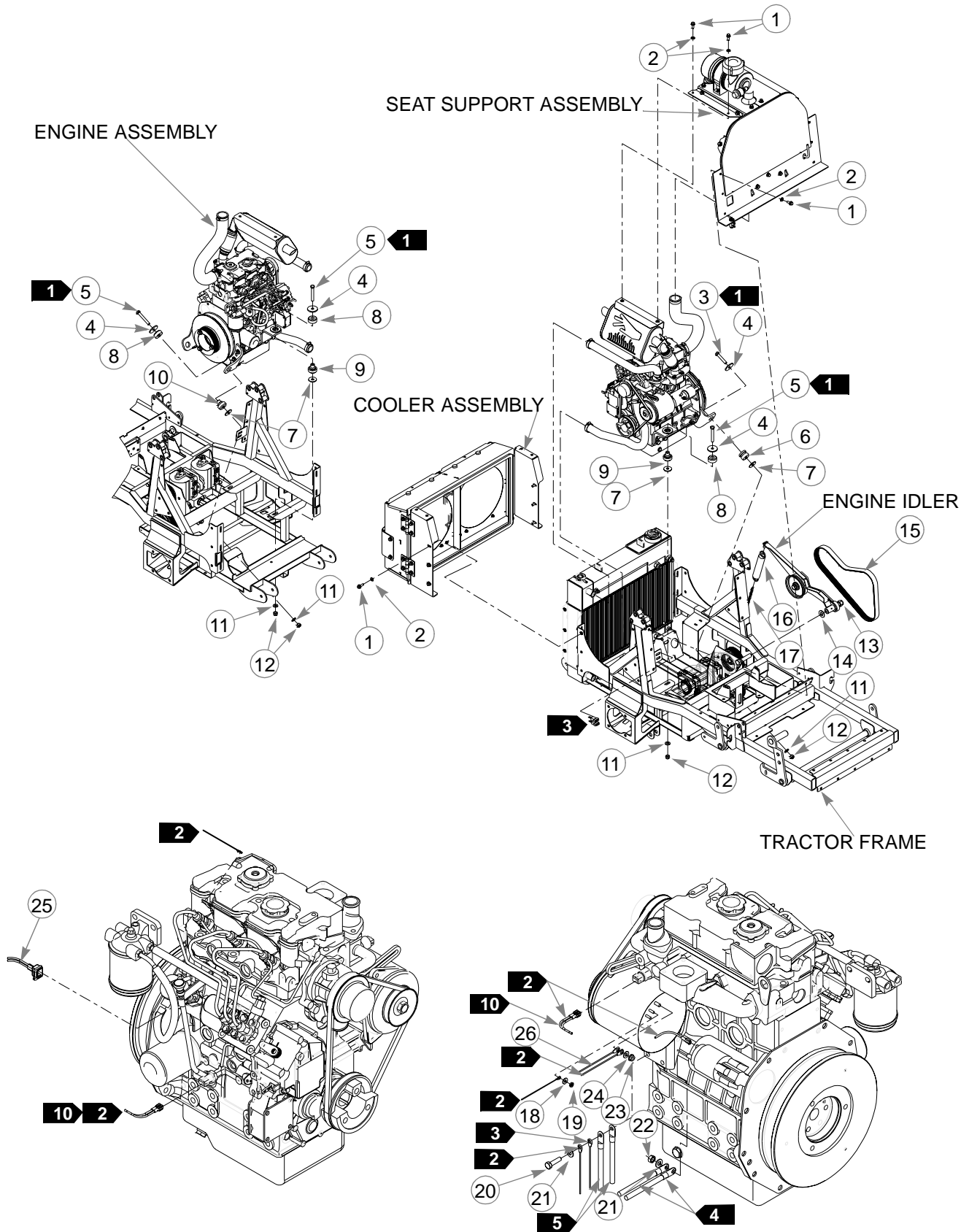
yellow with black stripe wire to "K" terminal.

Temperature sensor: connect white with yellow stripe wire to narrow terminal and yellow with white stripe wire to wide terminal.

11. Used on mowers with serial numbers prior to 05050778.
12. Used on mowers with serial numbers prior to 05080370.

This page intentionally left blank.

Engine Installation **13**



Engine Installation **13**

INDEX NO.	SERVICE PART NO.	MFG. PART NO.	QTY.	DESCRIPTION
1	029751	029751	13	CS .375-16 X 1.00 HXFLK ZNYC
2	767954	767954	13	FW .406 X .812 X .060 SAE HD ZN
3	721910	721910	1	CS .500-13 X 2.75 HX G5 ZNYC
4	344267	344267	4	FW .510 X 2.15 X .187 SPL ZNYC
5	061812	061812	3	CS .500-13 X 3.50 HX G5
6	792366	792366	1	SHOCK MOUNT
7	798603	798603	4	FW .530 X 1.75 X .125 HD ZY
8	798645	798645	3	SHOCK MOUNT REBOUND WASHER
9	798629	798629	2	SHOCK MOUNT BASE
10	798637	798637	1	SHOCK MOUNT BASE WITH SLEEVE
11	767962	767962	4	FW .531 X 1.063 X .090 SAE HD ZN
12	781567	781567	4	NT .50-13 HX LK NY ZNYC
13	061101	061101	1	NT .750-10 HX NL ZN
11	025296	025296	A/R	FW .760 X 1.625 X .08 ZNYC
15	792267	792267	1	8 GROOVE MIRCO V BELT
12	781302	781302	1	IDLER SPRING
17	373191	373191	1	SIDE MOUNT CHAIN
18	704932	704932	1	FW .219 X .500 X .048 ZNYC
19	741132	741132	1	NT M5-0.8 HX ZN NYLOC
20	720219	720219	1	CS M 8-1.25 X 30 LG. HXFLG
21	076547	076547	2	FW .344 X .688 X .065 SAE ZNYC
22	782664	782664	1	NT M8-1.25 HX STAINLESS STEEL
23	005231	005231	1	NT M6-1.0-10 HX FLG ZN
24	017079	017079	1	FW .250 X .560 X .04 SAE ZNYC
25	797688	797688	1	WIRE HARNESS
26	795831	795831	1	DIESEL Z FANS WIRE HARNESS

NOTES:

1. Torque to 73 ft. lbs.
2. Part of Item 27 (797688 Wire Harness).
3. Part of Item 28 (795831 Diesel Z Fans Wire Harness).
4. To positive battery terminals.
5. To negative battery terminals.
6. Engine high RPM to be set at 3100±50 with transport pump load only.
7. Engine low idle RPM to be set at 1400±100 with transport pump load only.
8. Engine oil capacity; 6.3 qts. including filter.
9. Engine coolant capacity; 2.8 gal.
10. For mowers with serial numbers higher than 05050778, connect oil and temperature sensor wires as follows:
 - Oil sensor: connect white with black stripe wire to "M" terminal and yellow with black stripe wire to "K" terminal.
 - Temperature sensor: connect white with yellow stripe wire to narrow terminal and yellow with white stripe wire to wide terminal.

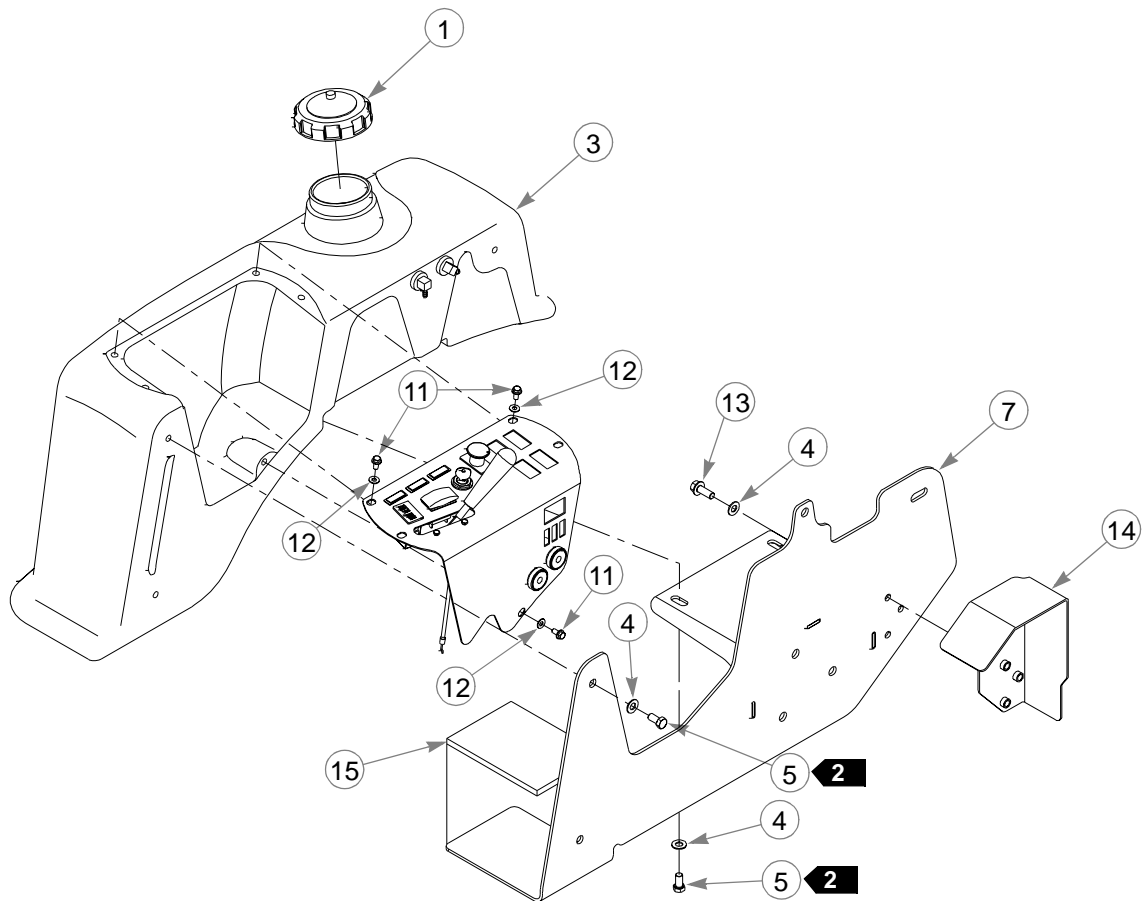
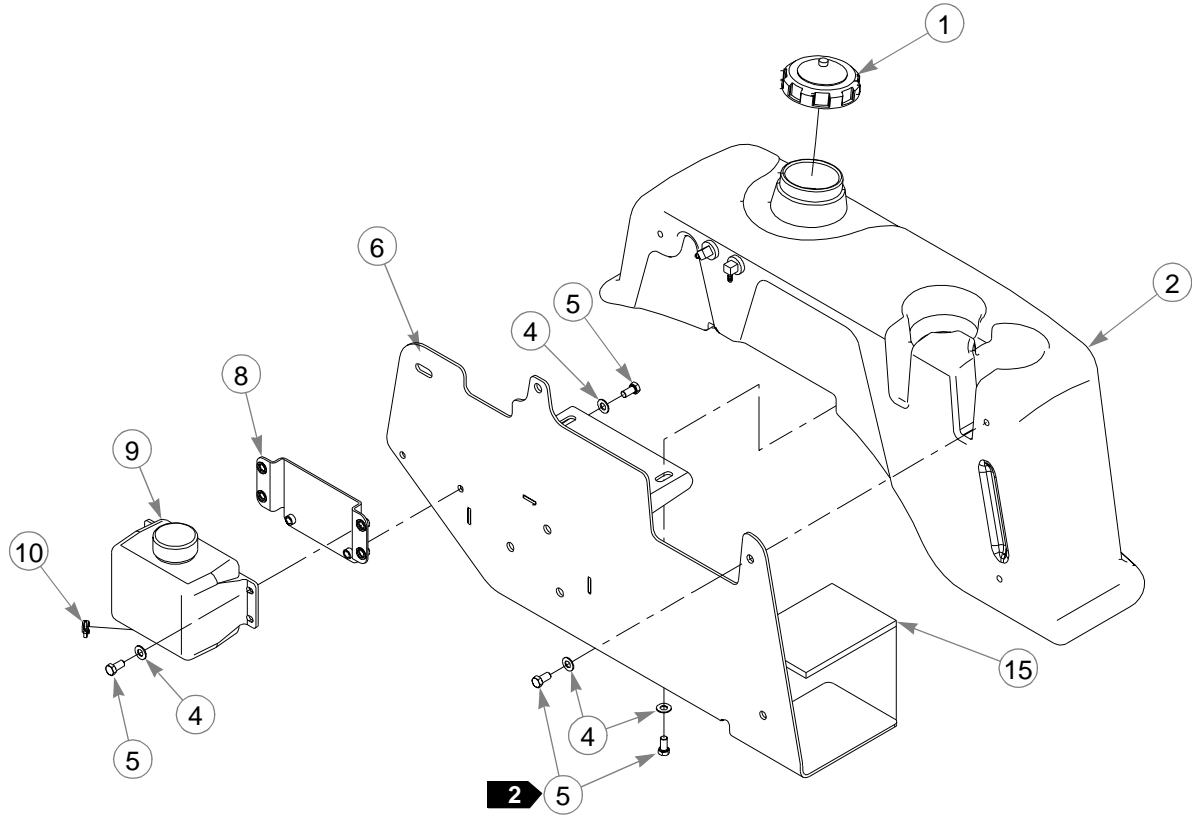
11. Use as required to align pulleys-maximum quantity of three.

12. Stretch to $9.0 \pm .3$ ", see "Hydraulic pump belt adjustment" on page B-5.

13 13. Used on mowers with serial number 05080370 and higher.

This page intentionally left blank.

Fuel Tank Assemblies



Fuel Tank Assemblies

INDEX NO.	SERVICE PART NO.	MFG. PART NO.	QTY.	DESCRIPTION
1	798470	798470	2	3.5" YELLOW FUEL CAP
2	792333	792333	1	LEFT SIDE FUEL TANK
3	792325	792325	1	RIGHT SIDE FUEL TANK
4	767954	767954	21	FW .406 X .812 X .060 SAE HD ZN
5	055822	055822	18	CS .375-16 X .750 HX G5 ZNYC
6	347666	347666	1	LEFT SIDE FUEL TANK SUPPORT
7	347625	347625	1	RIGHT SIDE FUEL TANK SUPPORT
8	338996	N/A	1	OVERFLOW BOTTLE MOUNT
9	761023	761023	1	2 QT. COOLANT BOTTLE
10	041491	041491	1	HOSE CLAMP
11	023143	023143	5	CS .250-20 X .500 HXFLK ZNYC
12	017079	017079	5	FW .250 X .560 X .04 SAE ZNYC
13	029751	029751	3	CS .375-16 X 1.00 HXFLK ZNYC
14	352476	N/A	1	FAN END BELT COVER
15	795567	795567	2	DIESEL Z FOAM

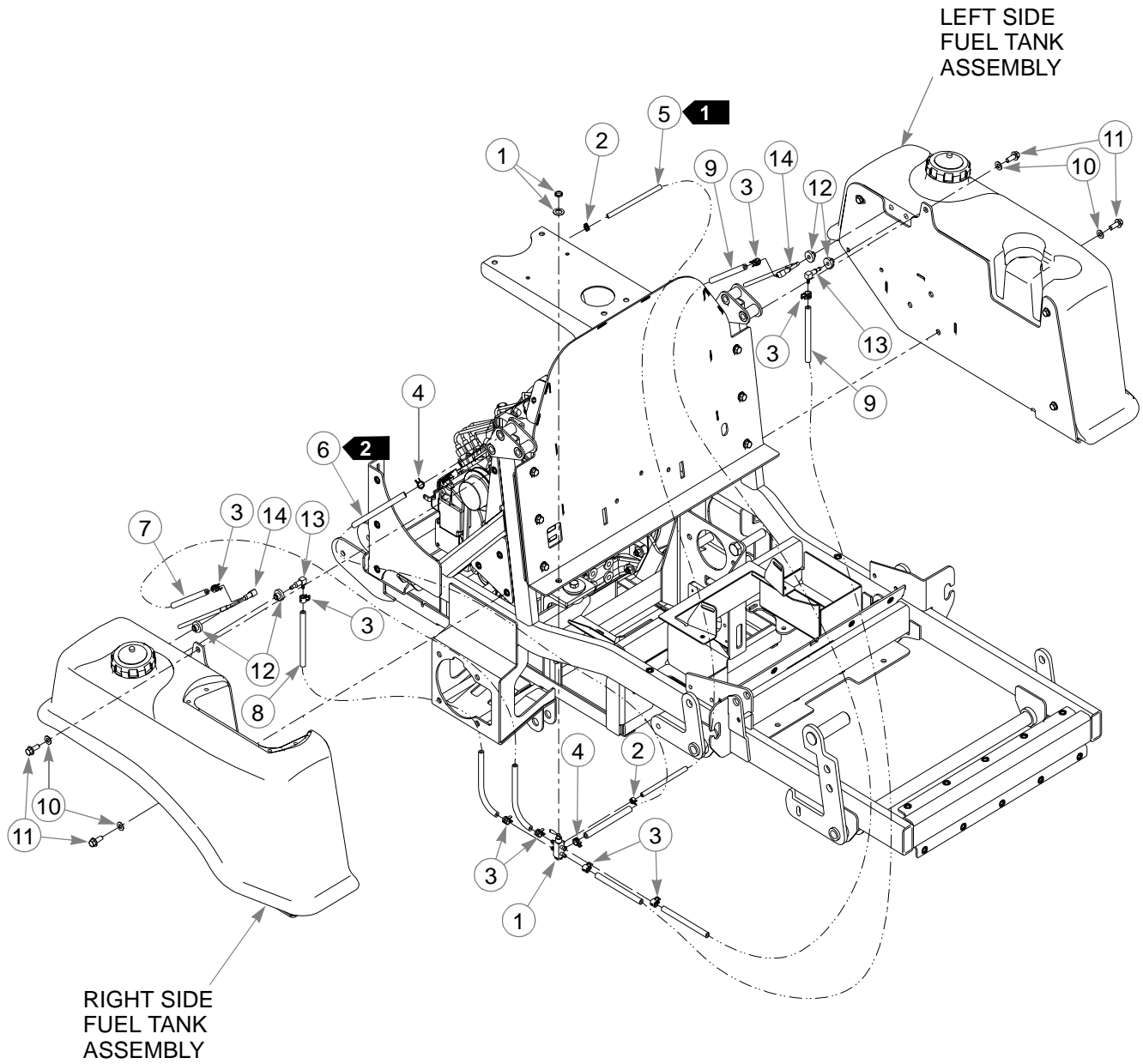
NOTES:

1. Service parts for fuel tanks not shown;

799205	FUEL SUCTION LINE
799213	FUEL RETURN LINE
785295	FUEL GROMMET
794081	FUEL FILTER SCREEN
792986	SITE-LINE TANKS FUEL FITTING (ELBOW)
796607	¼" HOSE BARB FITTING

2. Torque to 20 ft. lbs.

Fuel System Installation



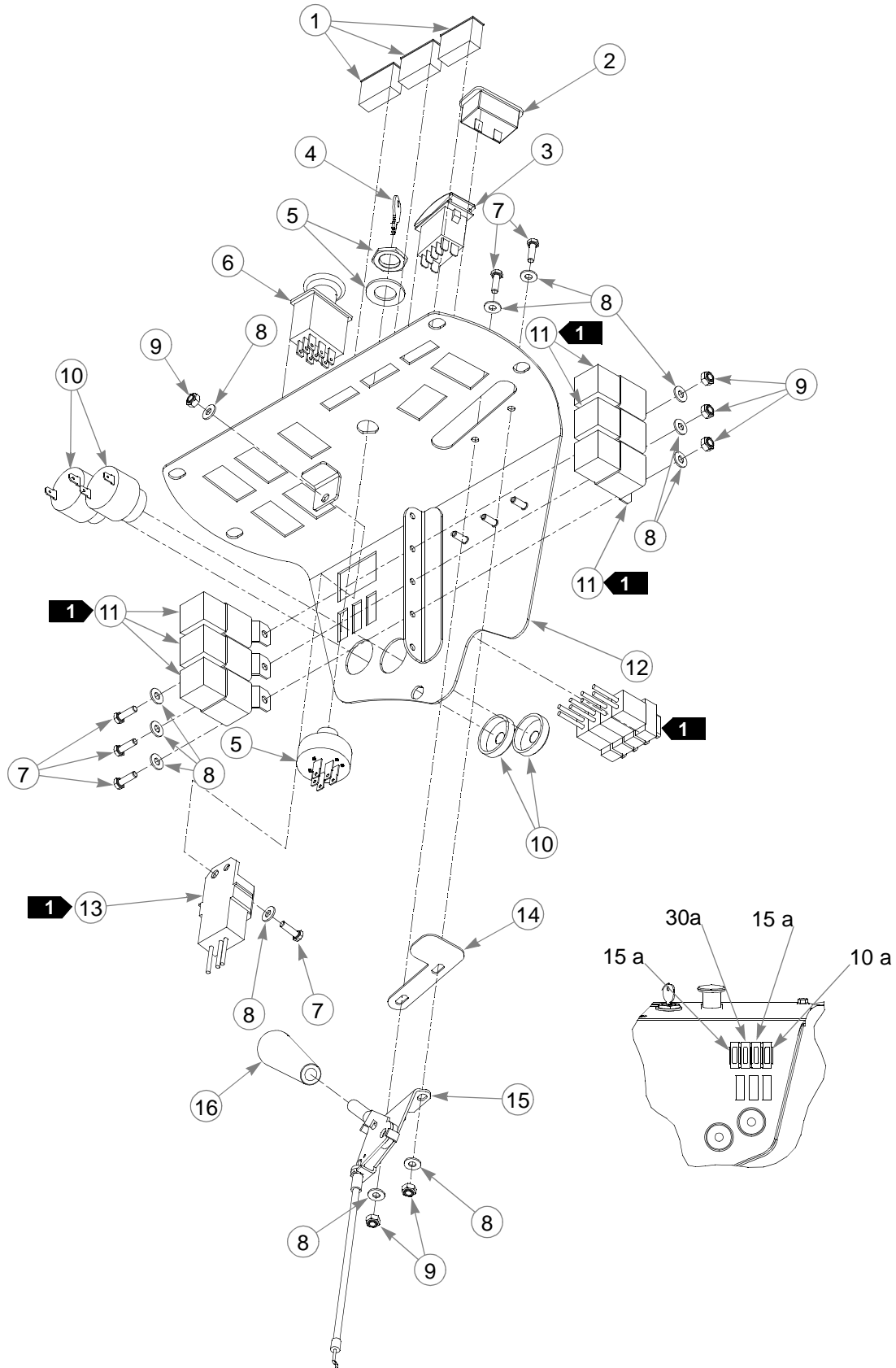
Fuel System Installation

INDEX NO.	SERVICE PART NO.	MFG. PART NO.	QTY.	DESCRIPTION
1	795542	N/A	1	FUEL VALVE
2	041483	041483	2	HOSE CLAMP
3	000323	000323	8	HOSE CLAMP
4	041491	041491	2	HOSE CLAMP
5	038398	038398	1	FUEL HOSE, 29.5" LONG
6	791400	791400	1	FUEL LINE 33" LONG
7	015818	015818	1	FUEL LINE 15.5" LONG
8	015818	015818	1	FUEL LINE 16.5" LONG
9	015818	015818	2	FUEL LINE 53.5" LONG
10	767954	767954	8	FW .406 X .812 X .060 SAE HD ZN
11	029751	029751	8	CS .375-16 X 1.00 HXFLK ZNYC
3	12 785295	N/A	4	GROMMET
3	13 792986	N/A	2	FUEL FITTING SITE-LINE TANKS
3	14 794735	N/A	2	FUEL RETURN ASSEMBLY
4	16 796847	N/A	1	HOSE COVERING 12" LG (NOT SHOWN)

NOTES:

1. Connected to engine fuel rail fuel return.
2. Connected to engine fuel pump inlet.
3. Supplied with new fuel tank.
4. Fuel line, return fuel line and leads for fuel shut-off and oil pressure are covered by this part.

Instrument Panel Assembly



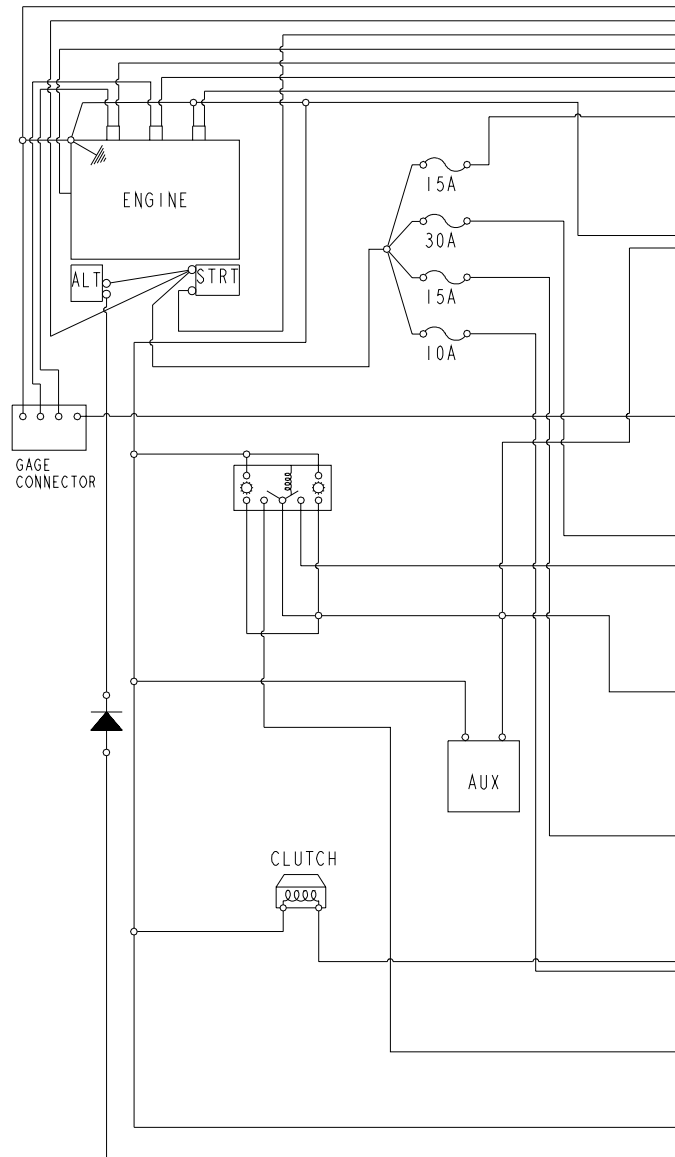
Instrument Panel Assembly

INDEX NO.	SERVICE PART NO.	MFG. PART NO.	QTY.	DESCRIPTION
1	712257	712257	3	RED INDICATOR LIGHT
2	769166	769166	1	HOUR METER
3	795484	795484	1	PANEL MOUNT ROCKER SWITCH
4	083022	N/A	2	IGNITION KEY
5	045898	045898	1	KEY SWITCH
	785808	785808	1	INDAK COATED KEY
6	776476	776476	1	PTO SWITCH
7	714998	714998	6	MS #10-24 X .625 HX ZN
8	704932	704932	12	FW .219 X .500 X .048 ZNYC
9	059832	059832	6	NT #10-24 HX NL ZN
10	794347	794347	2	ULTRA LOUD WARBLE TONE ALARM
11	026237	N/A	6	RELAY
12	337477	337477	1	DIESEL INSTRUMENT PANEL
13	762195	N/A	1	DELAY MODULE
14	102707	102707	1	THROTTLE STOP
15	795328	795328	1	THROTTLE CONTROL
16	762070	762070	1	HANDLE

NOTES:

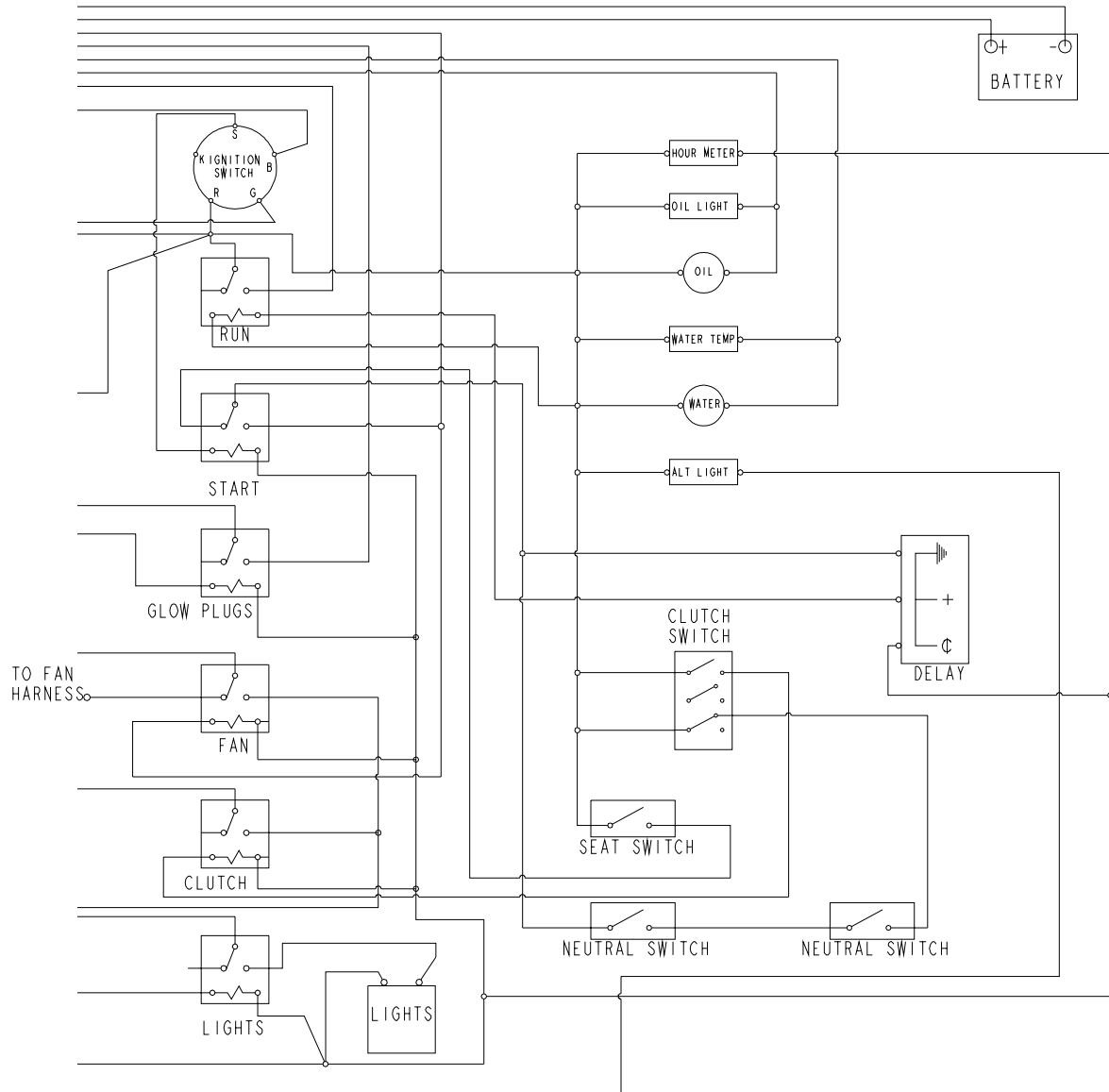
1. Part of 797688 or 795336 (Tractor Wire Harness)

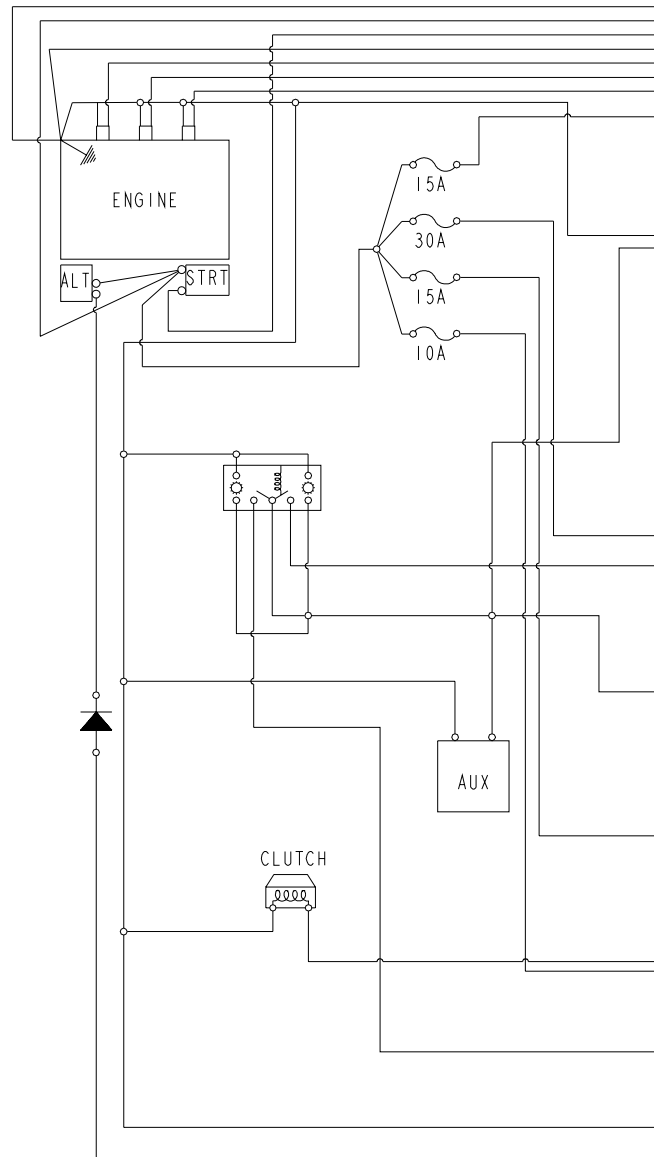
Electrical Schematic-797688 ◀ 1



1. Used on mowers with serial numbers 05050778 and higher.

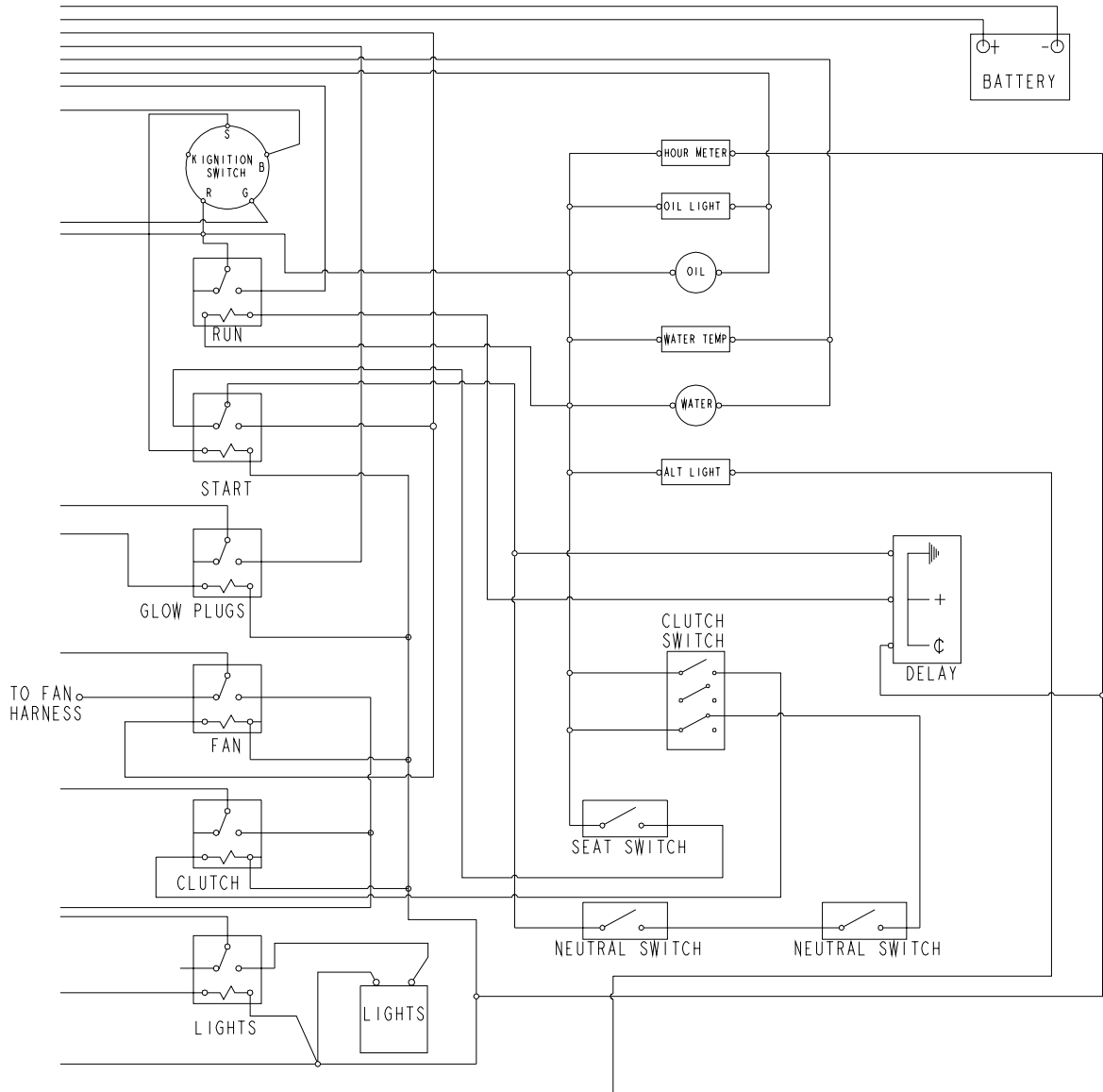
Electrical Schematic-797688



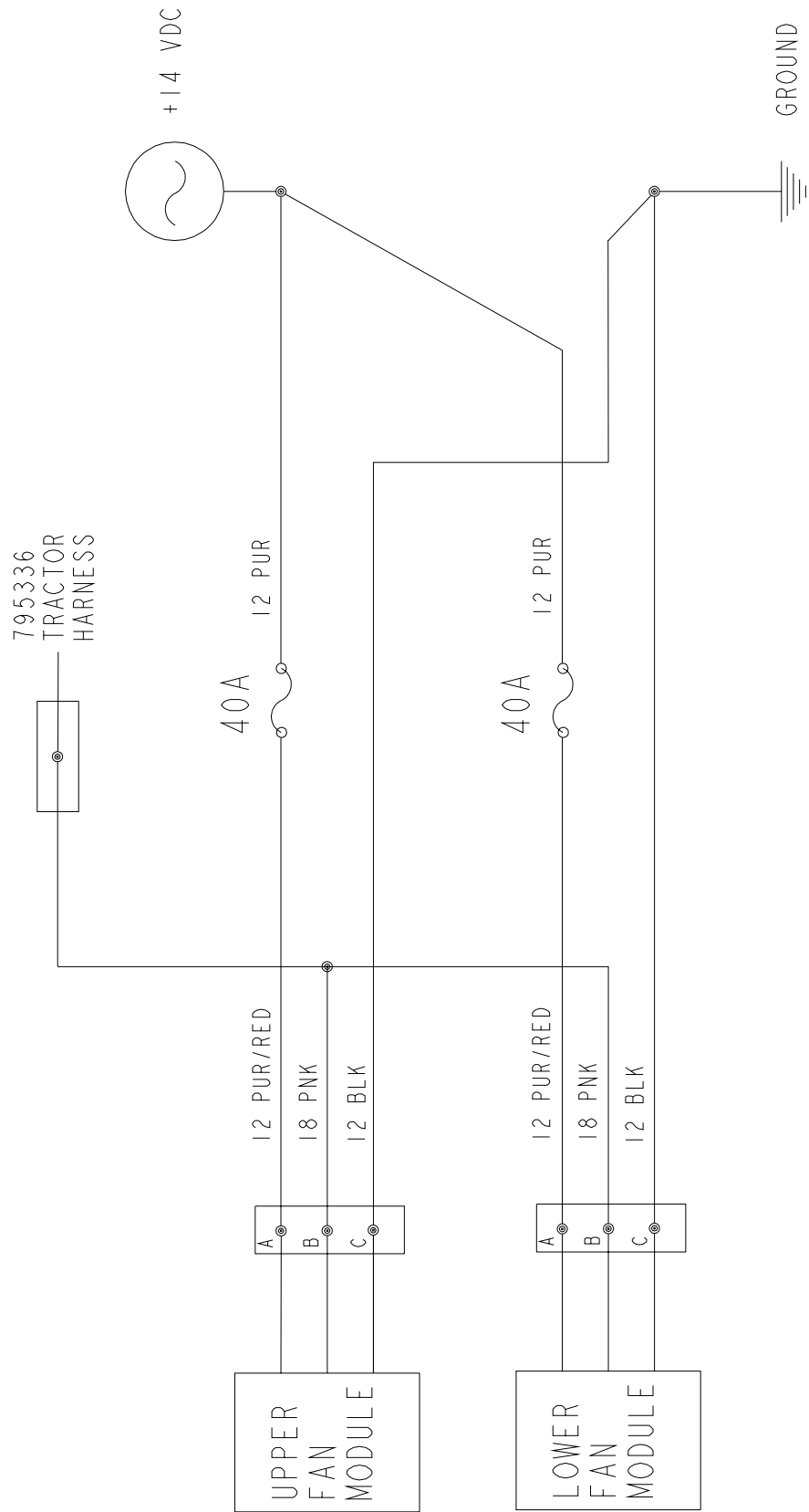


1. Used on mowers with serial numbers prior to 05050778.

Electrical Schematic—795336



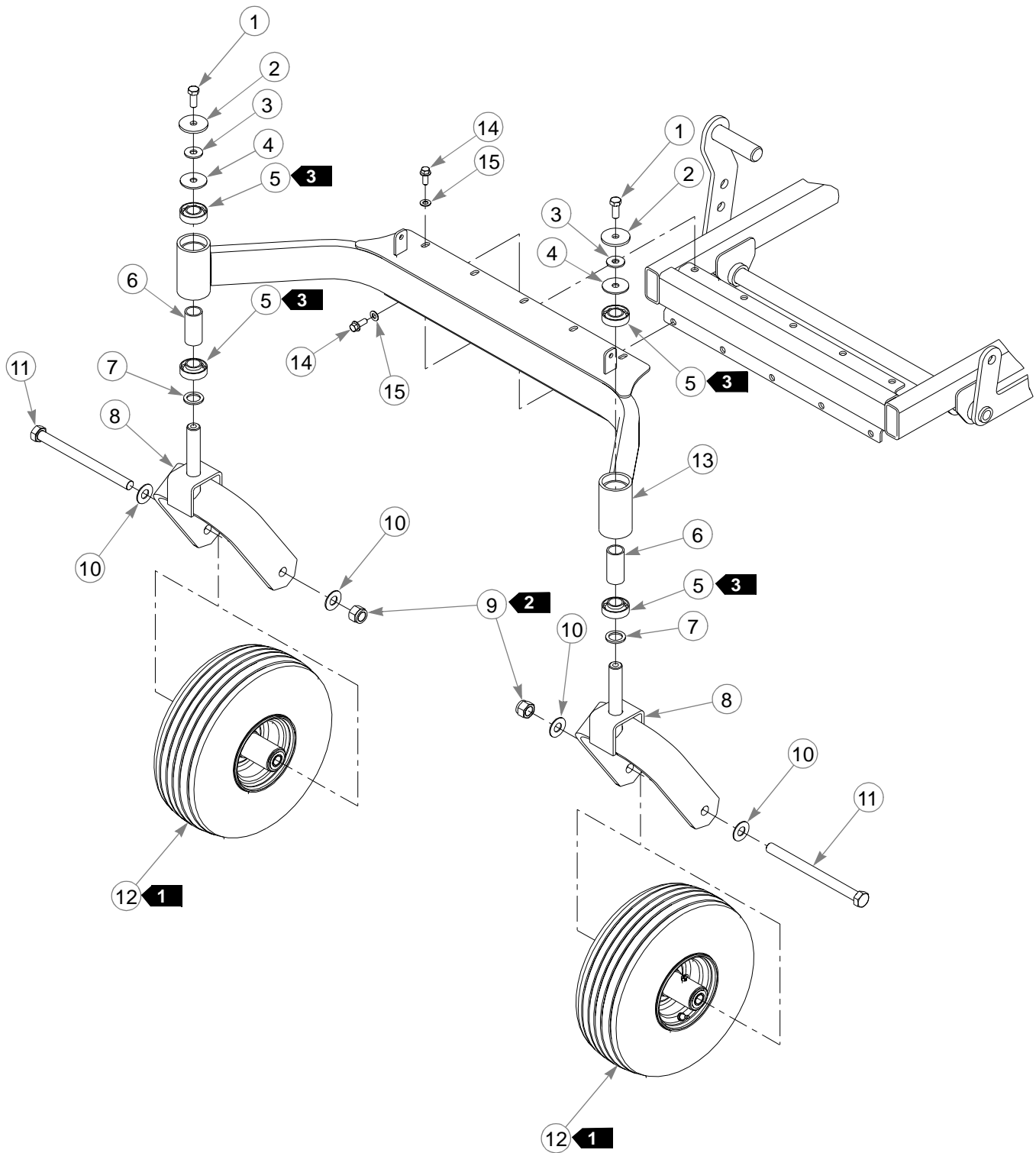
Electrical Schematic—795831



Chapter 6 Contents

Front Axle Assembly	6-2
Front Wheel Breakdown—791897.	6-4
Drive Wheel Assembly Installation	6-5
Anti-Rollover Wheel Assembly	6-6

Front Axle Assembly



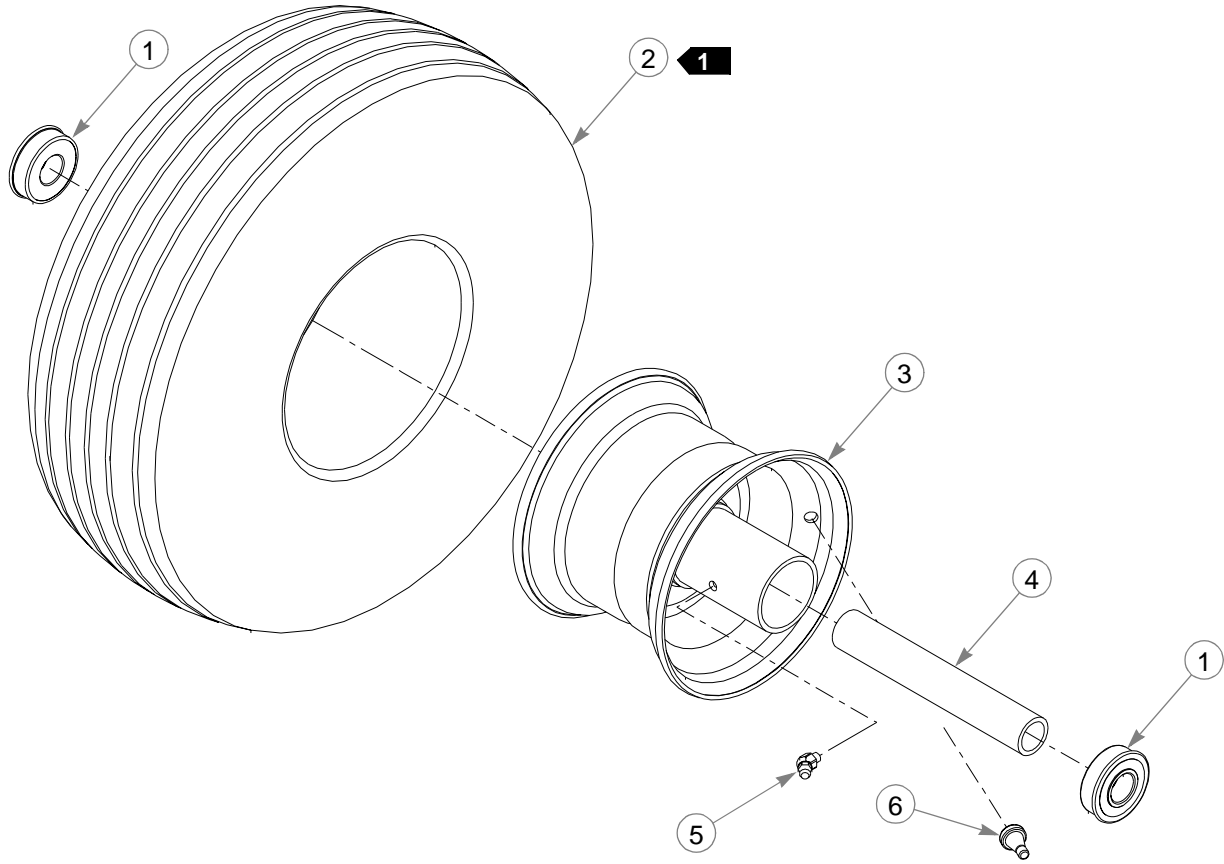
Front Axle Assembly

INDEX NO.	SERVICE PART NO.	MFG. PART NO.	QTY.	DESCRIPTION
1	705954	705954	2	CS .500-13 X 1.25 HX G5 ZNYC
2	344267	344267	2	FW .510 X 2.15 X .187 SPL ZNYC
3	712976	712976	2	FW .531 X 1.375 X .125 ZNYC
4	263517	263517	2	BEARING DISC
5	784223	784223	4	BEARING
6	387035	387035	2	SPACER, 1.07 X 1.312 X 2.793
7	045765	045765	2	FW 1.030 X 1.500 X .134 ZNYC
8	311969	311969	2	FORK
9	061101	061101	2	NT .750-10 HX NL ZN
10	025296	025296	4	FW .760 X 1.625 X .08 ZNYC
11	041475	041475	2	CS .750-10 X 9.50 HX ZNYC
12	791897	791897	2	WHEEL/TIRE ASSEMBLY
13	314518	314518	1	AXLE 72" SIDE DISCHARGE
	314500	314500	1	AXLE 60" SIDE DISCHARGE
	101923	101923	1	AXLE 72" REAR DISCHARGE
	101014	101014	1	AXLE 60" REAR DISCHARGE
14	029751	029751	10	CS .375-16 X 1.00 HXFLK ZNYC
15	767954	767954	10	FW .406 X .812 X .060 SAE HD ZN

NOTES:

1. Apply grease to zerk (see owner's manual).
2. Torque to 100 ft. lbs.
3. Assemble with extended inner race toward item 6 (387035 Spacer, 1.07x 1.312 x 2.793)

Front Wheel Breakdown—791897

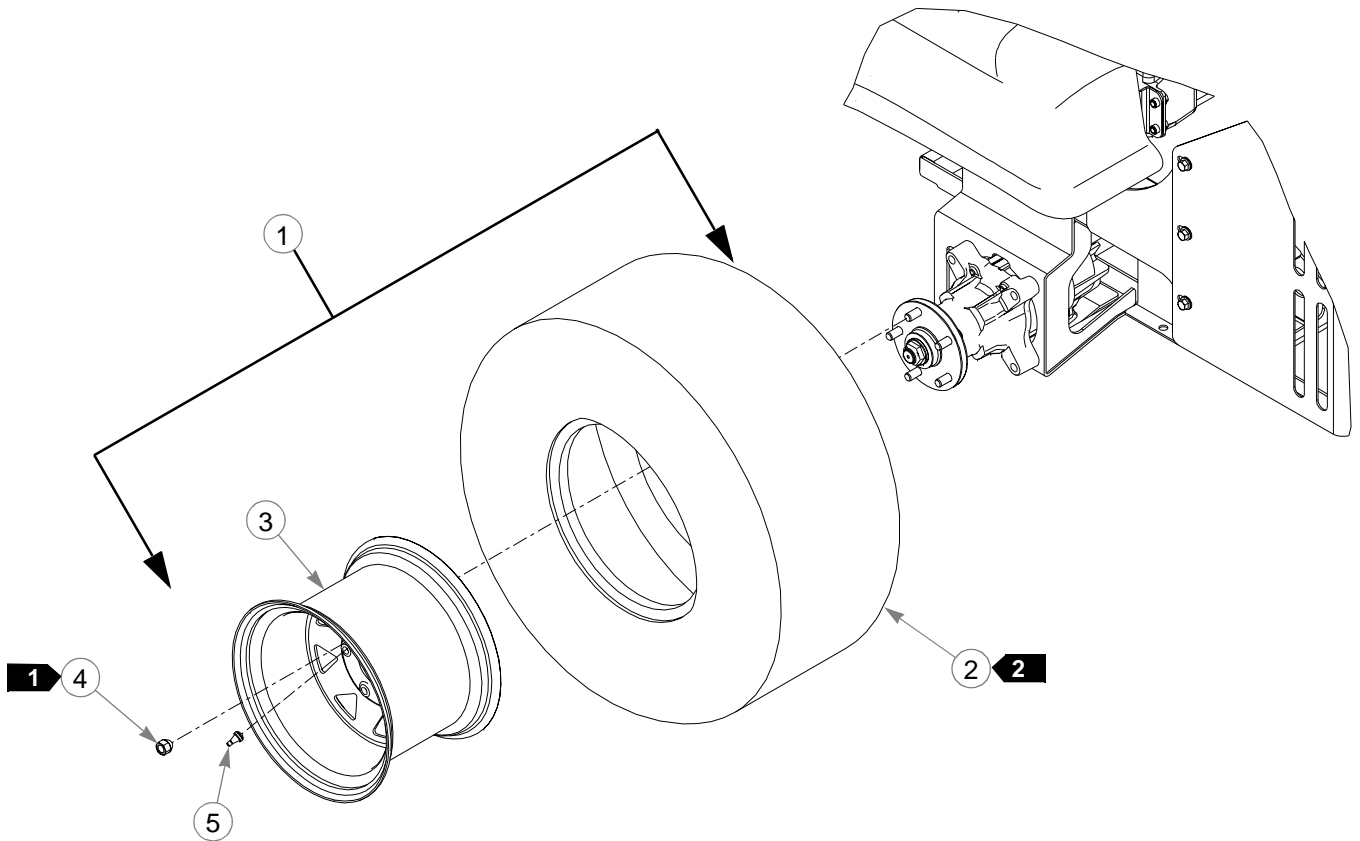


INDEX NO.	SERVICE PART NO.	MFG. PART NO.	QTY.	DESCRIPTION
1	039677	N/A	2	WHEEL BEARING
2	791913	N/A	1	15 X 6.00-6 4 PLY TIRE
3	747832	N/A	1	6 X 4.5 WHEEL
4	782771	N/A	1	BEARING SPACER
5	015511	N/A	1	45° DEG ¼" GREASE FITTING
6	019521	N/A	1	TIRE VALVE

NOTES:

1. Inflate tire to 8–10 psi.

Drive Wheel Assembly Installation



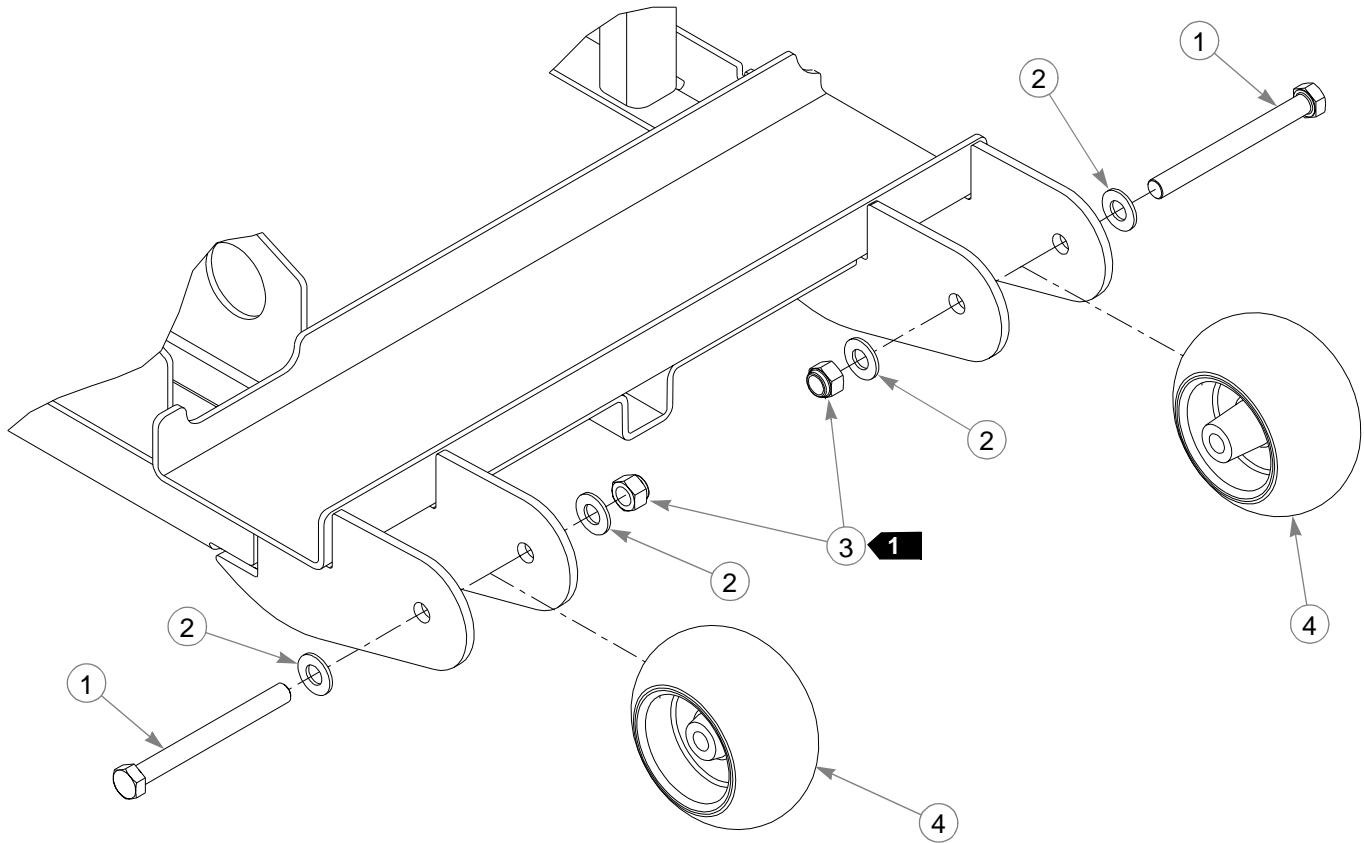
INDEX NO.	SERVICE PART NO.	MFG. PART NO.	QTY.	DESCRIPTION
1	791871	791871	2	WHEEL/TIRE ASSY FOR 72" (QTY PER TRACTOR)
2	747899	N/A		TIRE 26X12X12
3	784066	N/A		WHEEL ASSY 12 X 8.50 FOR 72"
4	061077	061077	10	WHEEL NUT (QTY PER TRACTOR)
5	019521	N/A	1	TIRE VALVE

1	791889	791889	2	WHEEL/TIRE ASSY FOR 60" (QTY PER TRACTOR)
2	747899	N/A		TIRE 26X12X12
3	781252	N/A		WHEEL ASSY 12 X 8.50 FOR 60"
4	061077	061077	10	WHEEL NUT (QTY PER TRACTOR)
5	019521	N/A	1	TIRE VALVE

NOTES:

1. Torque to 65–75 ft. lbs.
2. Inflate tire to 8–10 psi.

Anti-Rollover Wheel Assembly



INDEX NO.	SERVICE PART NO.	MFG. PART NO.	QTY.	DESCRIPTION
1	051151	051151	2	CS .500-13 X 5.00 HX G5 ZNYC
2	767962	767962.	4	FW .531 X 1.063 X .090 SAE HD ZN
3	781567	781567	2	NT .50-13 HX LK NY ZNYC
4	031997	031997	2	ANTI-SCALP WHEEL

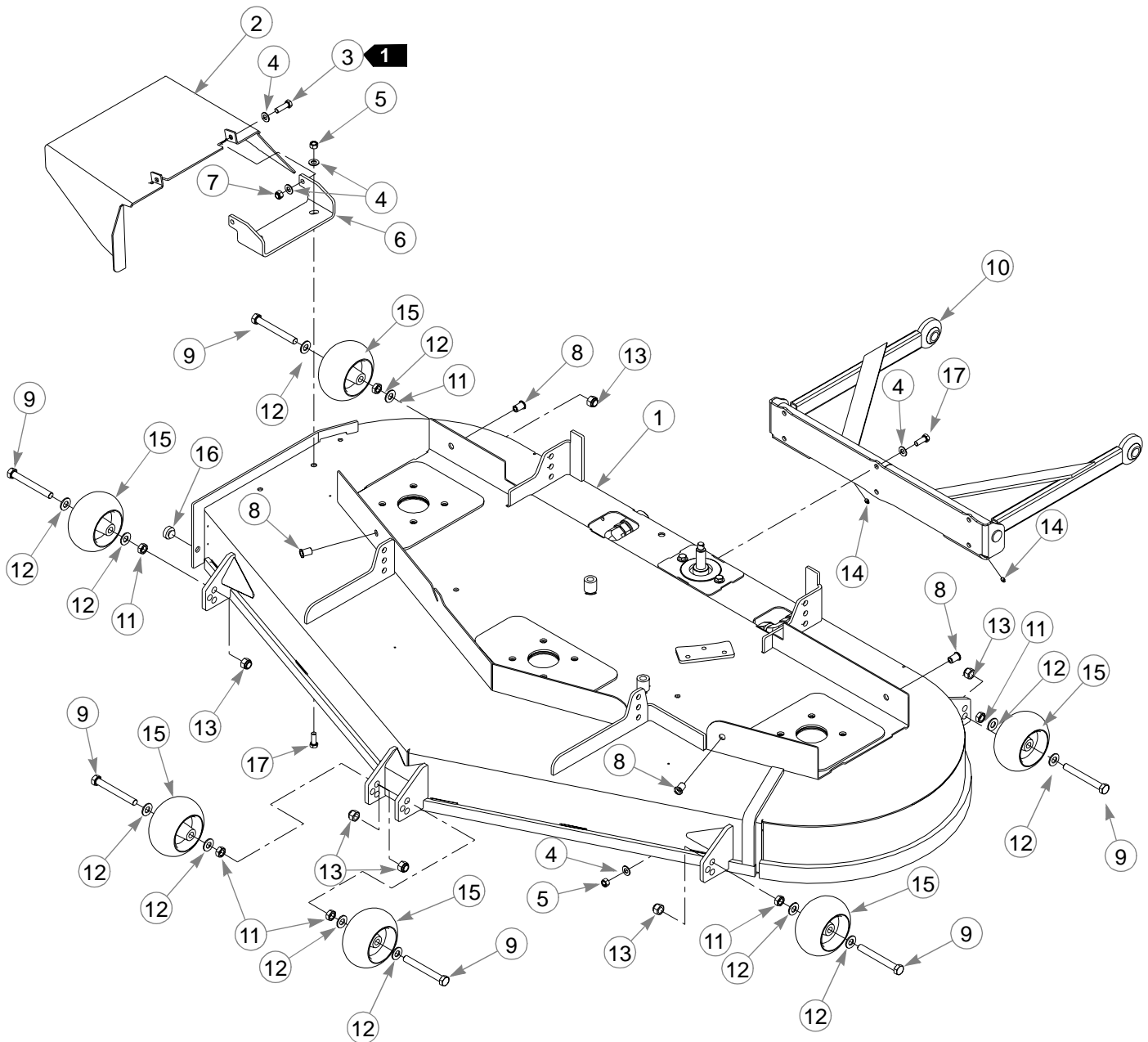
NOTES:

1. Do not torque, wheel must turn freely.

Chapter 7 Contents

72" Side Discharge Deck Assembly	7-2
72" Side Discharge Deck Pulley Assembly	7-4
Side Discharge Deck Hydraulic Motor Installation	7-6
60" Side Discharge Deck Assembly	7-8
60" Side Discharge Deck Pulley Assembly	7-10
72" Rear Discharge Deck Assembly	7-12
72" Rear Discharge Deck Pulley Assembly	7-14
Rear Discharge Deck Hydraulic Motor Installation	7-16
60" Rear Discharge Deck Assembly	7-18
60" Rear Discharge Deck Pulley Assembly	7-20
Spindle Assembly—796235	7-22
Spindle Assembly—796680	7-23

72" Side Discharge Deck Assembly



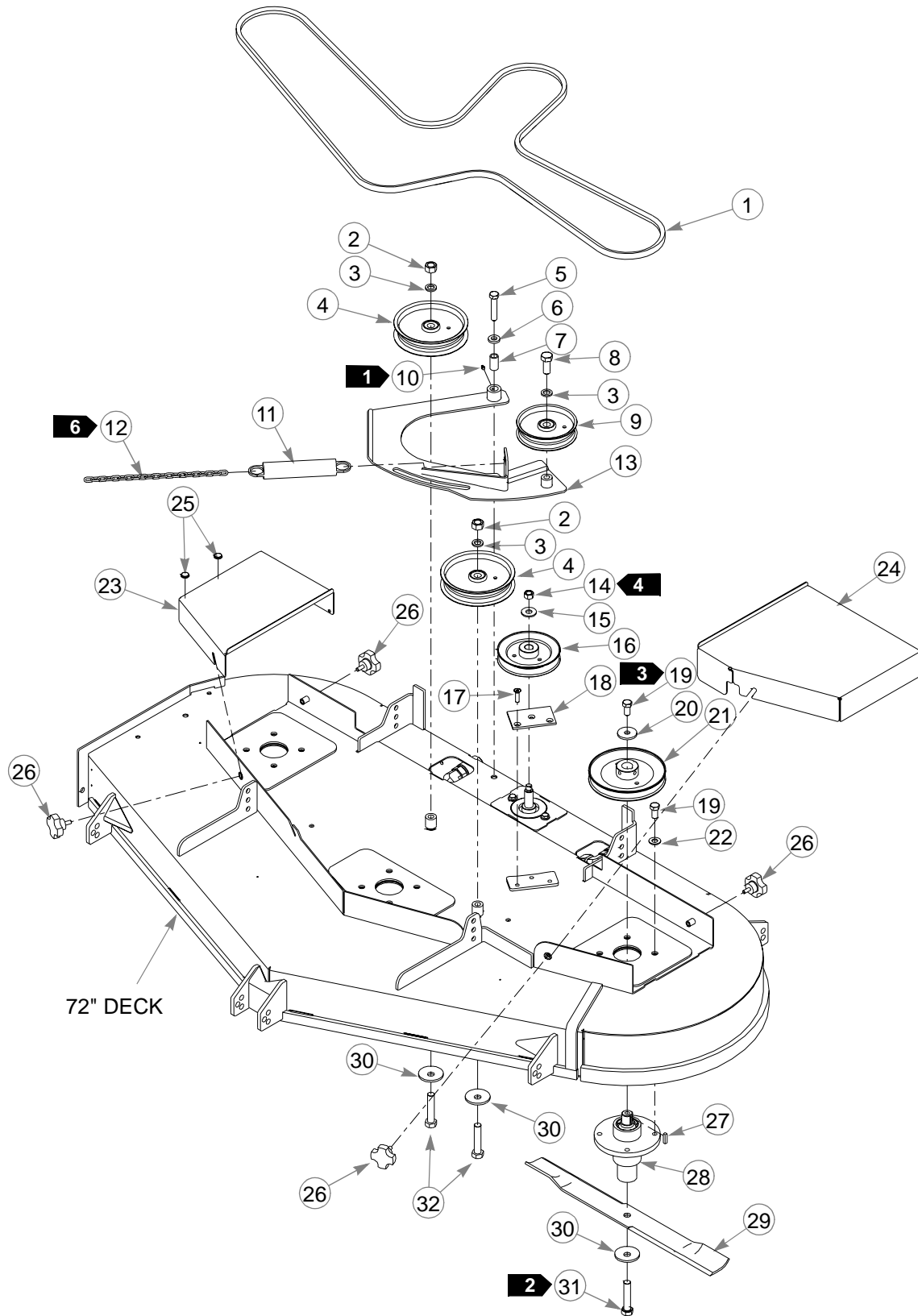
72" Side Discharge Deck Assembly

ITEM NO.	SERVICE PART NO.	MFG. PART NO.	QTY	DESCRIPTION
4 ▶ 1	547273	308114	1	72" DECK CRATED
2	349324	349324	1	DISCHARGE CHUTE
3	052860	052860	2	CS .375-16 X 1.250 HX G5 ZN
4	767954	767954	18	FW .406 X .812 X .060 SAE HD ZN
5	054502	054502	8	NT .375-16 HX GRD 5 ZN
6	349522	349522	1	DISCHARGE CHUTE MOUNT BRACKET
7	086660	086660	2	NT .375-16 HX LK NY
8	N/A	808485	4	5/16-18 THREAD RIVET NUT
9	781708	N/A	6	CS .500-13 X 4.25 HX G5 ZN
10	349803	349803	1	PUSHER
11	053199	N/A	6	NT .500-13 HX JAM ZN
12	767962	N/A	12	FW .531 X 1.063 X .090 SAE HD ZN
13	781567	781567	6	NT .50-13 HX LK NY
14	015495	015495	2	STRAIGHT GREASE FITTING
15	031997	N/A	6	ANTI-SCALP WHEEL
16	781880	781880	1	BUMPER
17	036244	036244	8	CS .375-16 X1.000 HX G5 ZN
2 ▶ 3 ▶	788166	788166	4	ANTI SCALP WHEEL ASSEMBLY

NOTES:

1. Do not torque, Item 2 (349324 Discharge Chute) must pivot freely.
2. Factory assembled in top hole for shipping purposes.
3. Includes Items 9, 11,12, and 15.
4. Service part deck included decals, see "Side Discharge Deck Decals" Chapter 9 on page 9-4.

72" Side Discharge Deck Pulley Assembly



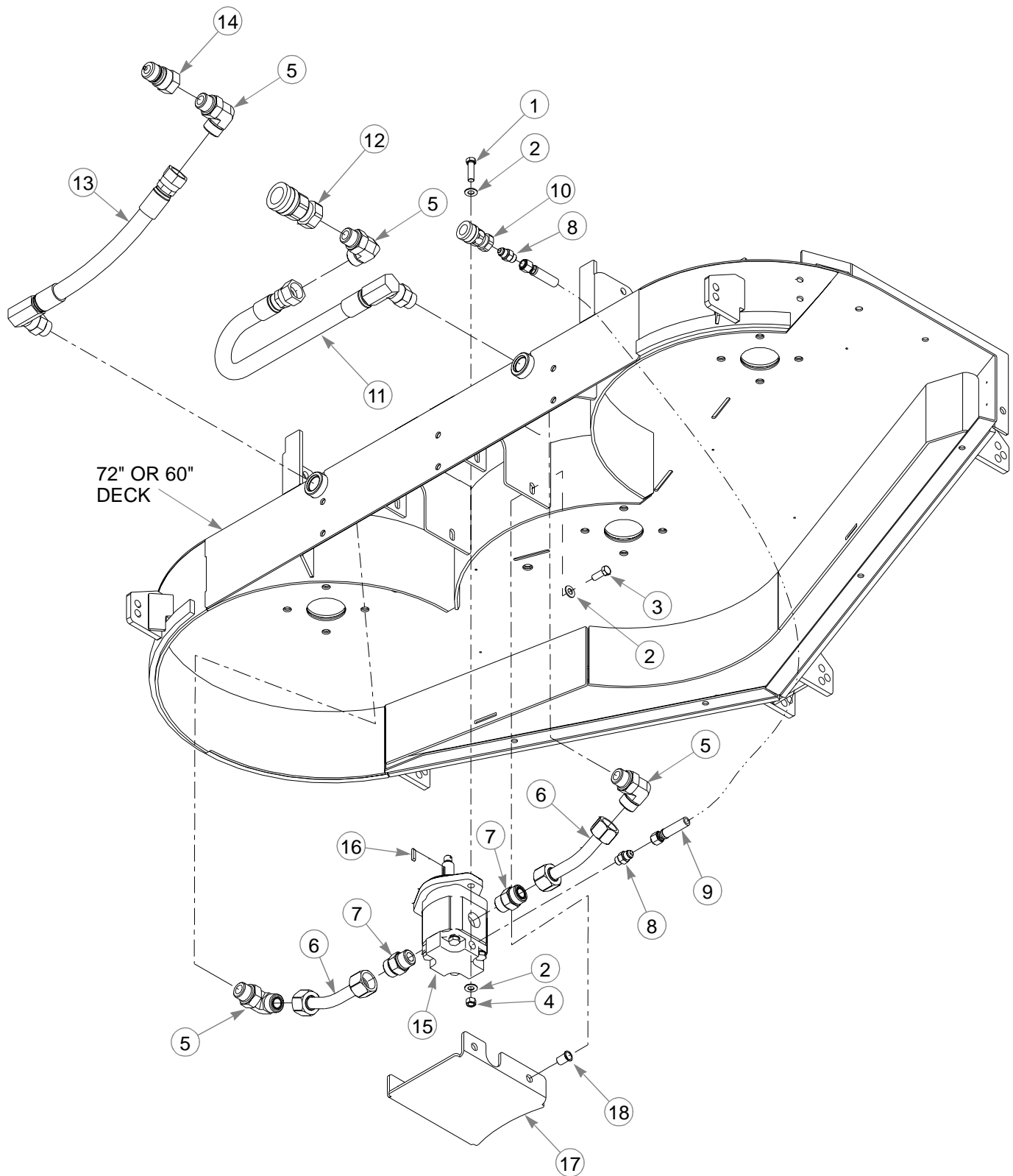
72" Side Discharge Deck Pulley Assembly

ITEM NO.	SERVICE PART NO.	MFG. PART NO.	QTY	DESCRIPTION
1	791988	791988	1	B-SECTION 72" DIESEL Z BELT
2	016972	016972	2	NT .625-11 HX G5 ZNYC
3	028118	028118	3	FW .62 X 1.00X.134 ZN
4	781385	781385	2	6.00" IDLER PULLEY,
5	008573	008573	1	CS .500-13 X 2.500 HX G5 ZN
6	070037	070037	1	FW .530 X 1.06 X .19 HRD ZN
7	350561	350561	1	DECK IDLER BUSHING
8	794446	794446	1	CS .625-11 X 1.50 HX G5 ZNYC
9	781856	781856	1	5.00" IDLER PULLEY
10	015495	015495	1	STRAIGHT GREASE FITTING
11	781302	781302	1	IDLER SPRING
12	373191	373191	1	SIDE MOUNT CHAIN
13	349498	349498	1	IDLER ARM
14	041541	N/A	1	NT .500-20 HX G5 ZNYC
15	017137	017137	1	FW .560 X 1.370 X .109 SAE ZNYC
16	796268	796268	1	DIESEL DECK MOTOR PULLEY
17	784199	784199	3	CS .312-18 X 1.250 FLT SH ZNYC
18	783878	783878	1	IDLER CLAMP
19	016527	016527	15	CS .500-13 X 1.00 HX G5 ZN
20	078386	078386	3	FW .510 X 1.750 X .18 ZN
21	538850	538850	3	DRIVE PULLEY
22	767962	767962	12	FW .531 X 1.063 X .090 SAE HD ZN
23	348375	348375	1	R.S. PULLEY COVER
24	348524	348524	1	L.S. PULLEY COVER
25	781617	781617	2	RUBBER BUMPER
26	792002	792002	4	5/16-18 X 3/4" MALE KNOB
27	212472	212472	3	KEY 1/4 SQ X 1.00 LONG
5	796235	796235	3	SPINDLE HOUSING ASSEMBLY
29	795260	795260	3	23.86" 1.09" HIGH SAIL BLADE
	794867	794867	3	BLADE, 23.86"-GAT-F-CW
30	782474	782474	5	CW .631 2.250 X .187 PNT
31	029934	029934	3	CS .625-11 X 3.00 HX G5 ZNYC
32	783738	783738	2	CS .625-11 X 3.00 FULL HX G5 ZN

NOTES:

1. Apply grease to zerk (see owners manual).
2. Torque to 118 ft. lbs.
3. Torque to 65-75 ft. lbs.
4. Torque to 75 ft. lbs.
5. See "Spindle Assembly—796235" Chapter 7 on page 7–22 for breakdown.
6. See "Side Discharge Deck Belt Routing and Tensioning" Chapter 8 on page 8–4 for belt tensioning.

Side Discharge Deck Hydraulic Motor Installation

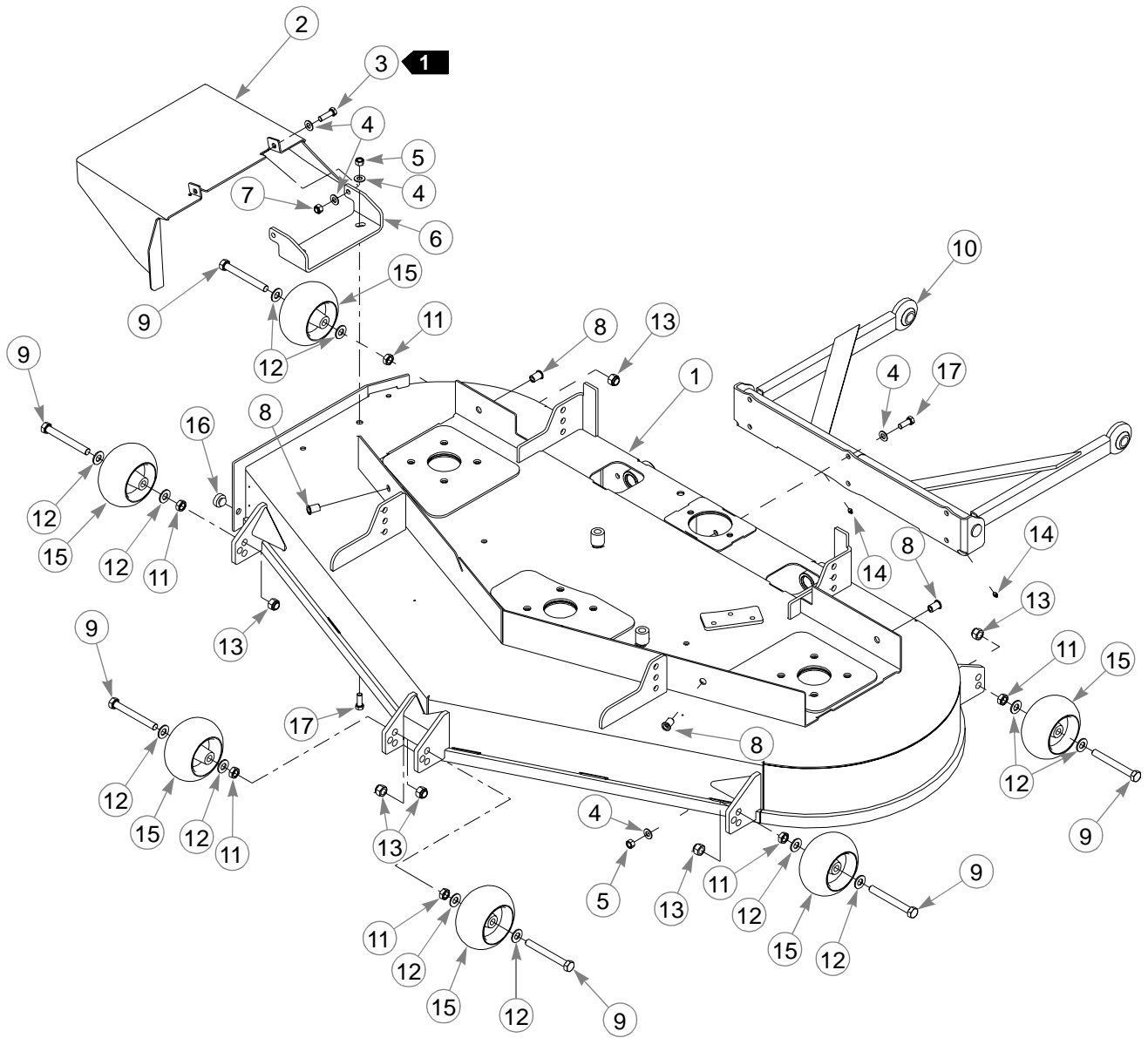


Side Discharge Deck Hydraulic Motor Installation

INDEX NO.	SERVICE PART NO.	MFG. PART NO.	QTY.	DESCRIPTION
1	005116	005116	2	CS .375-16 X 1.375 HX G5 ZNYC
2	767954	767954	8	FW .406 X .812 X .060 SAE HD ZN
3	036244	036244	4	CS .375-16 X 1.00 HX G5 ZNYC
4	054502	054502	2	NT .375-16 HX GRD 5 ZNYC
5	793430	N/A	4	FITTING, 90-12MORB/-12 MSL
6	793448	N/A	2	DIESEL Z DECK STEEL TUBE
7	793422	N/A	2	FITTING, STR-12MORB/-12MSL
8	779132	N/A	2	FITTING, STR-6MORB/-6MSL
9	795898	N/A	1	LP CASE-DRAIN HOSE
10	795849	N/A	1	FITTING, QC-6FORB/-6F
11	795864	N/A	1	HOSES COVERED W/NHS-159
12	796110	N/A	1	FITTING, QC-12FORB/-12F
13	795880	N/A	1	HOSES COVERED W/NHS-159
14	796128	N/A	1	FITTING, QC-12FORB/-12M
15	791863	N/A	1	PARKER MOTOR
16	795641	N/A	1	KEY
17	107342	314088	1	DZ 72" DECK MOTOR COVER
	107334	314070	1	DZ 60" DECK MOTOR COVER
18	N/A	808493	4	3/8-16 THREAD RIVET NUT

NOTES:

60" Side Discharge Deck Assembly



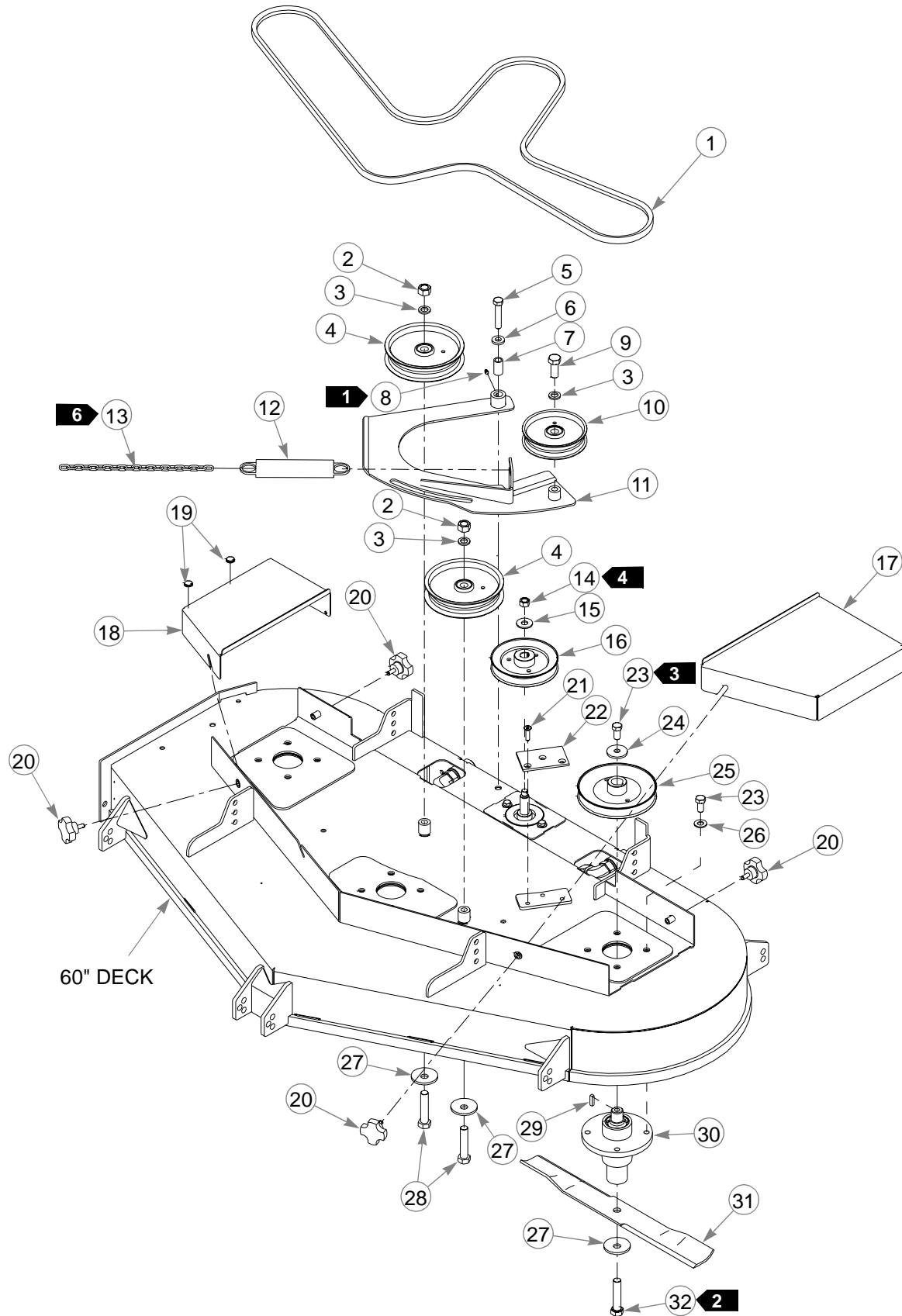
60" Side Discharge Deck Assembly

INDEX NO.	SERVICE PART NO.	MFG. PART NO.	QTY.	DESCRIPTION	
4 ▶	1	547356	307884	1	60" DECK CRATED
	2	349324	349324	1	DISCHARGE CHUTE
	3	052860	052860	2	CS .375-16 X 1.250 HX G5 ZN
	4	767954	767954	18	FW .406 X .812 X .060 SAE HD ZN
	5	054502	054502	8	NT .375-16 HX GRD 5 ZN
	6	349522	349522	1	DISCHARGE CHUTE MOUNT BRACKET
	7	086660	086660	2	NT .375-16 HX LK NY
	8	N/A	808485	4	5/16-18 THREAD RIVET NUT
	9	781708	N/A	4	CS .500-13 X 4.25 HX G5 ZN
	10	349803	349803	1	PUSHER
	11	053199	N/A	4	NT .500-13 HX JAM ZN
	12	767962	N/A	8	FW .531 X 1.063 X .090 SAE HD ZN
	13	781567	781567	4	NT .50-13 HX LK NY
	14	015495	015495	2	STRAIGHT GREASE FITTING
	15	031997	N/A	4	ANTI-SCALP WHEEL
	16	781880	781880	1	BUMPER
	17	036244	036244	7	CS .375-16X1.000 HX G5 ZN
2 ▶ 3 ▶		788166	788166	4	ANTI SCALP WHEEL ASSEMBLY

NOTES:

1. Do not torque, Item 2 (349324 Discharge Chute) must pivot freely.
2. Factory assembled in top hole for shipping purposes.
3. Includes Items 9, 11,12, and 15.
4. Service part deck includes decals, see "Side Discharge Deck Decals" Chapter 9 on page 9-4.

60" Side Discharge Deck Pulley Assembly



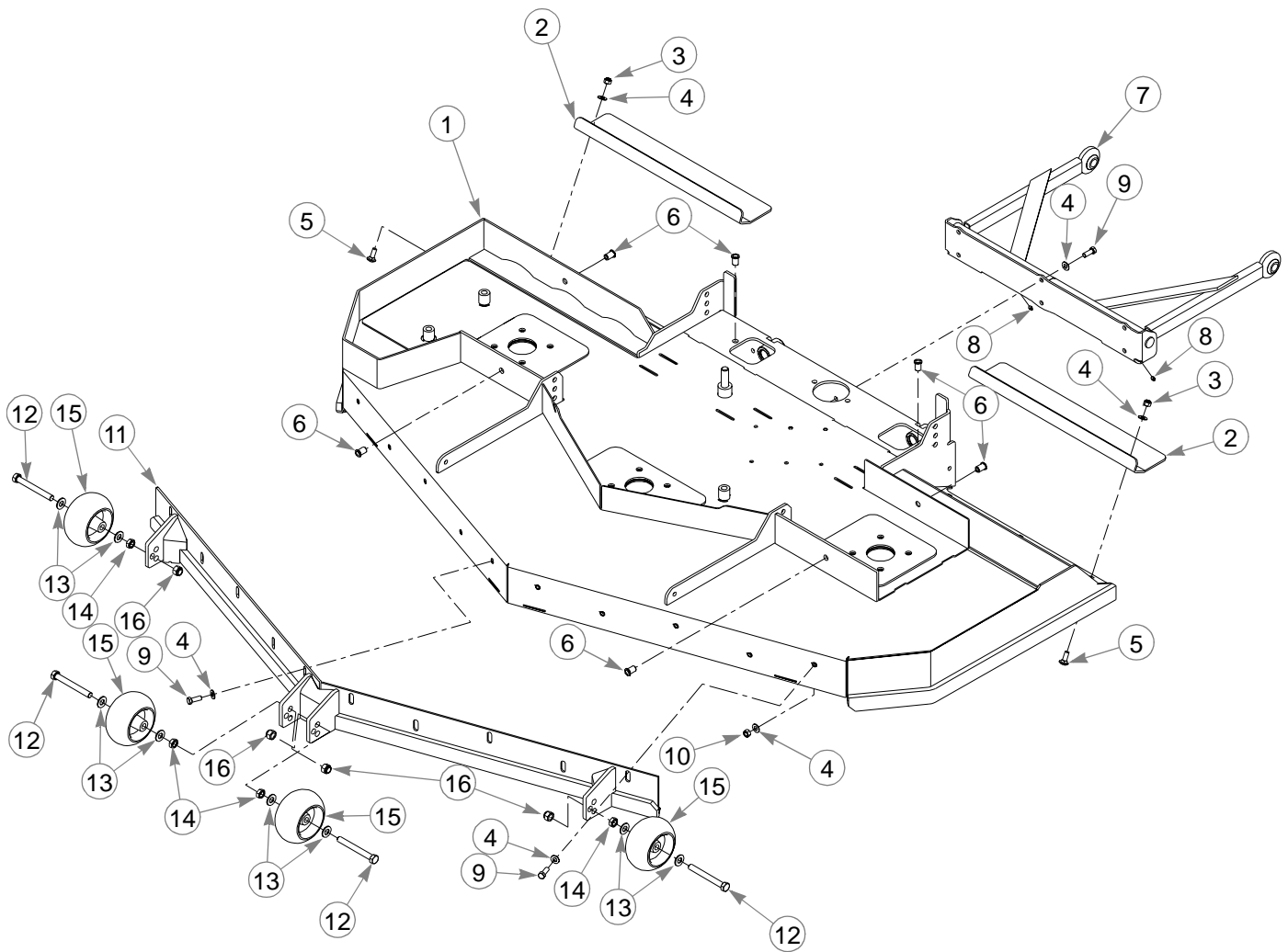
60" Side Discharge Deck Pulley Assembly

INDEX NO.	SERVICE PART NO.	MFG. PART NO.	QTY.	DESCRIPTION
1	791970	791970	1	B-SECTION 60" DIESEL Z BELT
2	016972	016972	2	NT .625-11 HX G5 ZNYC
3	028118	028118	3	FW .625 X 1.00 X .134 ZNYC
4	781385	781385	2	6.00" IDLER PULLEY
5	008573	008573	1	CS .500-13 X 2.50 HX G5 ZNYC
6	070037	070037	1	FW .530 X 1.06 X .19 HRD ZNYC
7	350561	350561	1	DECK IDLER BUSHING
8	015495	015495	1	GREASE FITTING STRAIGHT
9	794446	794446	1	CS .625-11 X 1.50 HX G5 ZNYC
10	781856	781856	1	PULLEY, IDLER NHI 5.00"
11	349498	349498	1	DECK IDLER ARM
12	781302	781302	1	IDLER SPRING
13	373191	373191	1	SIDE MOUNT CHAIN
14	041541	N/A	1	NT .500-13 HX G5 ZNYC
15	017137	017137	1	FW .560 X 1.370 X .109 SAE ZNYC
16	796268	796268	1	DIESEL DECK MOTOR PULLEY
17	349399	349399	1	LS PULLEY COVER
18	349381	349381	1	RS PULLEY COVER
19	781617	781617	2	RUBBER BUMPER
20	792002	792002	4	MALE KNOB, 5/16-18 X 3/4"
21	784199	784199	3	CS .312-18 X 1.25 FLT SH ZNYC
22	783878	783878	1	IDLER CLAMP
23	016527	016527	15	CS .500-13 X 1.00 HX G5 ZNYC
24	078386	078386	3	FW .510 X 1.750 X .18 ZNYC
25	781328	781328	3	B-SECTION 6.10 E.O.D PULLEY
26	767962	767962	12	FW .531 X 1.063 X .090 SAE HD ZN
27	782474	782474	5	CW .631 2.250 X .187 PNT
28	783738	783738	2	CS .625-11 X 3.00 FULL HX G5 ZN
29	212472	212472	3	1/4 SQ X 1.00 LONG KEY
5 30	796235	796235	3	DECK SPINDLE ASSEMBLY
31	795252	795252	3	20.95" 1.09" HIGH SAIL BLADE
	794859	794859	3	BLADE, 20.95"-GAT-F-CW
32	029934	029934	3	CS .625-11 X 3.00 HX G5 ZNYC

NOTES:

1. Apply grease to zerk (see owners manual).
2. Torque to 118 ft. lbs.
3. Torque to 65–75 ft. lbs.
4. Torque to 75 ft. lbs.
5. See "Spindle Assembly—796235" Chapter 7 on page 7–22 for breakdown.
6. See "Side Discharge Deck Belt Routing and Tensioning" Chapter 8 on page 8–4 for belt tensioning.

72" Rear Discharge Deck Assembly



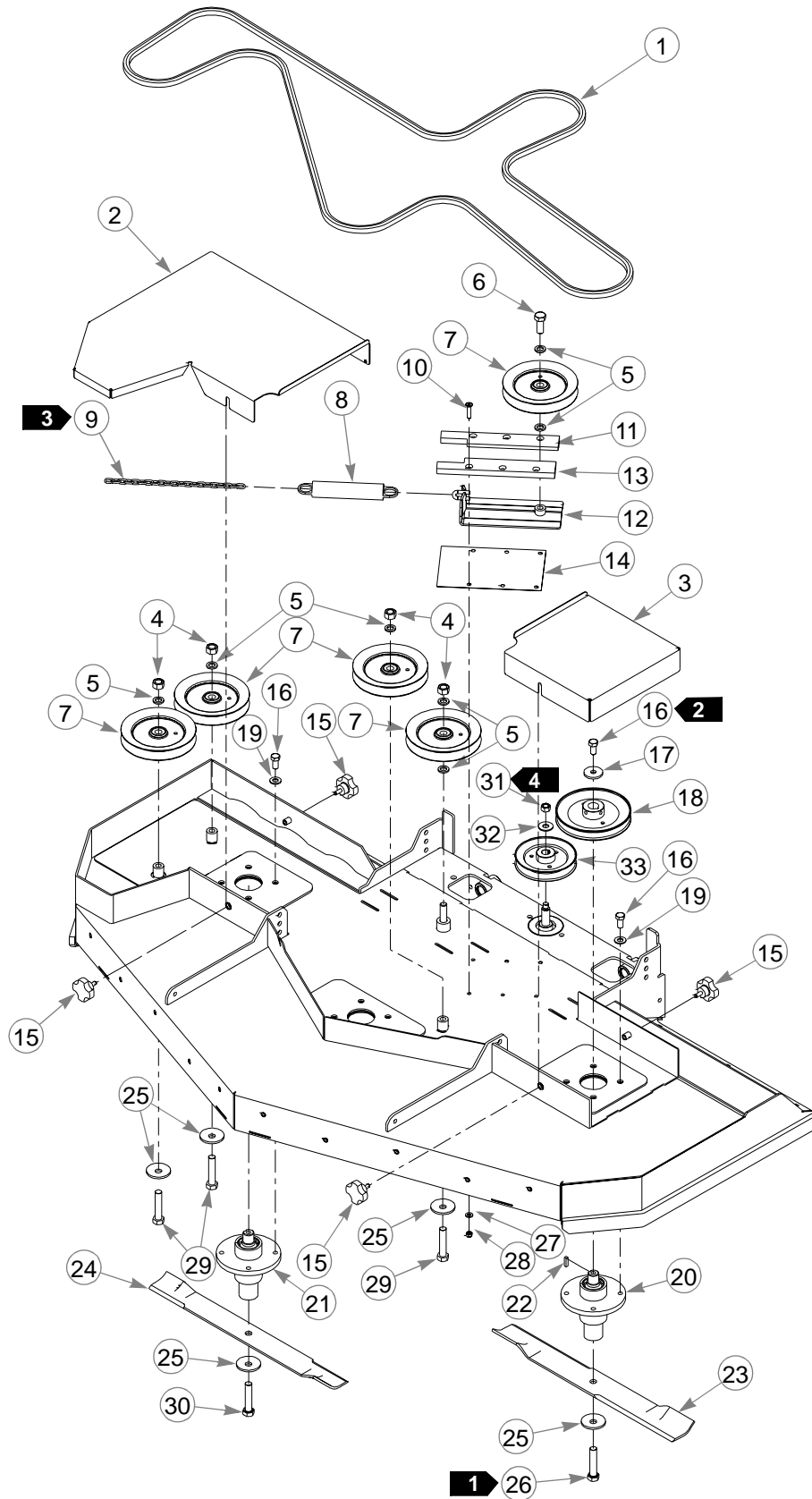
72" Rear Discharge Deck Assembly

INDE X NO.	SERVICE PART NO.	MFG. PART NO.	QTY.	DESCRIPTION
3 1	547448	102210	1	72" REAR DISCHARGE DECK
2	101360	101360	2	DECK STIFFENER ANGLE
3	086660	086660	6	NT .375-16 HX LK NY
4	767954	767954	28	FW .406 X .812 X .060 SAE HD ZN
5	025395	025395	6	CB .375-16 X 1.00 STD CD
6	N/A	808485	6	5/16-18 THREAD RIVET NUT
7	349803	349803	1	PUSHER
8	015495	015495	2	STRAIGHT GREASE FITTING
9	036244	036244	16	CS .375-16 X 1.00 HX G5 ZN
10	054502	054502	6	NT .375-16 HX GRD 5 ZNY
11	101477	101477	1	72" REAR DISCHARGE FRONT ANGLE
12	781708	N/A	4	CS .500-13 X 4.25 HX G5 ZN
13	767962	N/A	8	FW .531 X 1.063 X .090 SAE HD ZN
14	053199	N/A	4	NT .500-13 HX JAM ZN
15	031997	N/A	4	ANTI-SCALP WHEEL
16	781567	781567	2	NT .500-13 HX LK NY
1 2	788166	788166	4	ANTI SCALP WHEEL ASSEMBLY

NOTES:

1. Factory assembled in top hole for shipping purposes.
2. Includes Items 12 through 15.
3. Service part deck includes decals, see "Rear Discharge Deck Decals" Chapter 9 on page 9-5.

72" Rear Discharge Deck Pulley Assembly



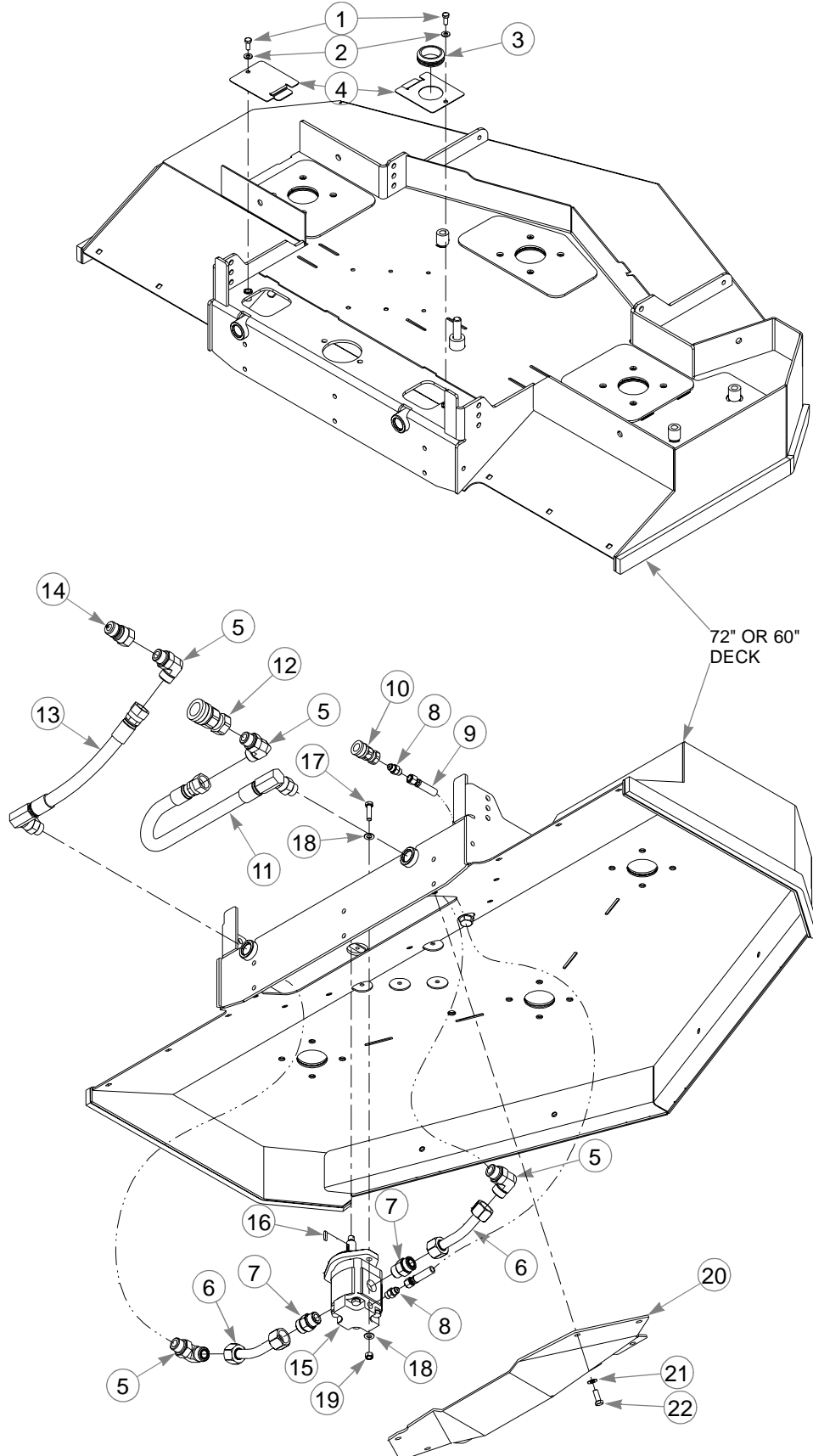
72" Rear Discharge Deck Pulley Assembly

INDEX NO.	SERVICE PART NO.	MFG. PART NO.	QTY.	DESCRIPTION
1	797159	797159	1	REAR DISCHARGE DECK BELT
2	101345	101345	1	RIGHT 72" REAR DISCHARGE PULLEY COVER
3	101352	101352	1	LEFT 72" REAR DISCHARGE PULLEY COVER
4	016972	016972	4	NT .625-11 HX G5 ZNYC
5	028118	028118	7	FW .62 X 1.00 X .134 ZN
6	794446	794446	1	CS .625-11X1.500 HX G5
7	796714	796714	5	6" HB IDLER PULLEY RD
8	781302	781302	1	IDLER SPRING
9	373191	373191	1	SIDE MOUNT CHAIN
10	797910	797910	6	CS .312-18X1.50FLT SH ZNYLC
11	600171	600171	2	IDLER UHMW LS SLIDE
12	350884	350884	1	REAR DISCHARGE DECK IDLER
13	600189	600189	2	IDLER UHMW RS SLIDE
14	786335	786335	1	.03 THICK UHMW
15	792002	792002	4	5/16-18 X 3/4" MALE KNOB
16	016527	016527	15	CS .500-13 X 1.00 HX G5 ZN
17	078386	078386	3	FW .510 X 1.75 X .18 ZN
18	538850	538850	3	DRIVE PULLEY
19	767962	767962	12	FW .531 X 1.063 X .090 SAE HD ZN
4	796235	796235	2	DECK SPINDLE ASSY
5	796680	796680	1	REAR DISCHARGE DECK SPINDLE ASSEMBLY
22	212472	212472	3	KEY 1/4 SQ X 1.00 LONG
23	796839	796839	2	BLADE, 23.86-H-F-CW
24	796508	796508	1	BLADE, 23.86-L-F-CCW
25	782474	782474	6	CW .631 X 2.250 X .187 PNT
26	029934	029934	2	CS .625-11 X 3.00 HX G5 ZNYC
27	768523	768523	4	FW .343 X .687 X .051/.080 HD ZN
28	058776	058776	4	NT .312-18 HX NL ZNYC
29	783738	783738	3	CS .625-11X3.00 FULL HX G5 ZN
30	796722	796722	1	CS .625-11 X 3.00 LH HX G
31	041541	041541	1	NT .500-20 HX G5 ZNYC
32	017137	017137	1	FW .560 X 1.370 X .109 SAE
33	796268	796268	1	DIESEL DECK MOTOR PULLEY

NOTES:

1. Torque to 118 ft. lbs.
2. Torque to 65-75 ft. lbs.
3. See "Deck Belt Routing and Tensioning—Rear Discharge" Chapter 8 on page 8–5.
4. Torque to 75 ft. lbs.
5. See "Spindle Assembly—796235" Chapter 7 on page 7–22 for breakdown.
6. See "Spindle Assembly—796680" Chapter 7 on page 7–23 for breakdown.

Rear Discharge Deck Hydraulic Motor Installation

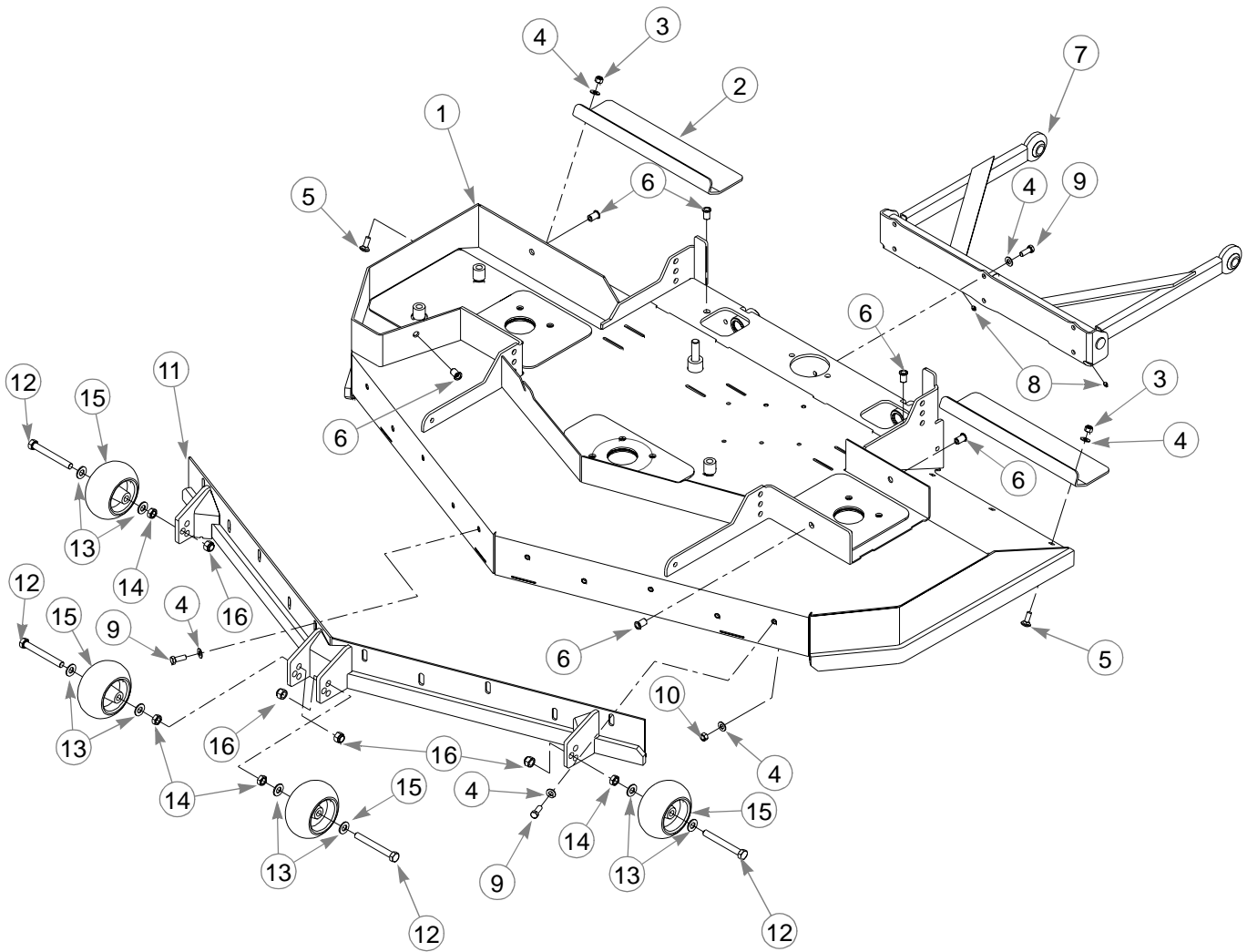


Rear Discharge Deck Hydraulic Motor Installation

INDEX NO.	SERVICE PART NO.	MFG. PART NO.	QTY.	DESCRIPTION
1	034280	034280	2	CS .312-18X .750 HX G5
2	768523	768523	2	FW .343 X .687 X .051/.080 HD ZNYC
3	796367	796367	1	RUBBER GROMMET 1.625 X 2.00 X .188
4	100651	100651	2	RD DZ FITTING COVER
5	793430	N/A	4	FITTING, 90-12MORB/-12 MSL
6	793448	N/A	2	DIESEL Z DECK STEEL TUBE
7	793422	N/A	2	FITTING, STR-12MORB/-12MSL
8	779132	N/A	2	FITTING, STR-6MORB/-6MSL
9	795898	N/A	1	LP CASE-DRAIN HOSE
10	795849	N/A	1	FITTING, QC-6FORB/-6F
11	795864	N/A	1	HOSES COVERED W/NHS-159
12	796110	N/A	1	FITTING, QC-12FORB/-12F
13	795880	N/A	1	HOSES COVERED W/NHS-159
14	796128	N/A	1	FITTING, QC-12FORB/-12M
15	791863	N/A	1	PARKER MOTOR
16	795641	N/A	1	KEY
17	005116	005116	2	CS .375-16 X 1.375 HX G5
18	767954	767954	4	FW .406 X .812 X .060 SAE
19	054502	054502	2	NT .375-16 HX GRD 5 ZNYC
20	100537	100537	1	RD DZ MOTOR COVER
21	767954	767954	7	FW .406 X .812 X .060 SAE
22	036244	036244	7	CS .375-16 X 1.00 HX G5 ZNYC

NOTES:

60" Rear Discharge Deck Assembly



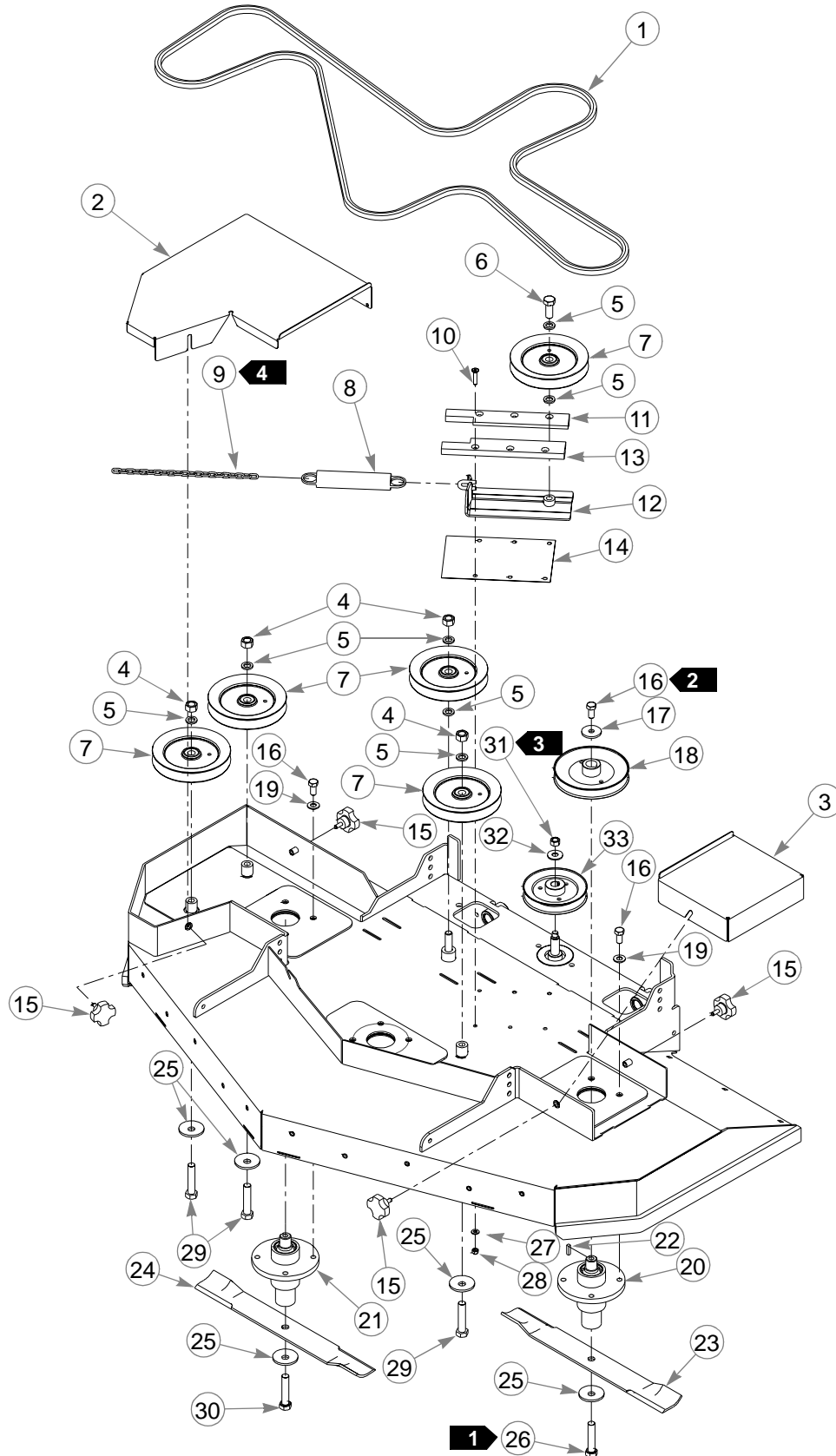
60" Rear Discharge Deck Assembly

INDE X NO.	SERVICE PART NO.	MFG. PART NO.	QTY.	DESCRIPTION
3 1	547430	100479	1	60" REAR DISCHARGE DECK
2	351676	351676	2	DECK STIFFENER ANGLE
3	086660	086660	6	NT .375-16 HX LK NY
4	767954	767954	28	FW .406 X .812 X .060 SAE HD ZN
5	025395	025395	6	CB .375-16 X 1.00 STD CD
6	N/A	808485	6	5/16-18 THREAD RIVET NUT
7	349803	349803	1	PUSHER
8	015495	015495	2	STRAIGHT GREASE FITTING
9	036244	036244	16	CS .375-16 X 1.00 HX G5 ZN
10	054502	054502	6	NT .375-16 HX GRD 5 ZNY
11	352591	352591	1	60" REAR DISCHARGE FRONT ANGLE
12	781708	N/A	4	CS .500-13 X 4.25 HX G5 ZN
13	767962	N/A	8	FW .531 X 1.063 X .090 SAE HD ZN
14	053199	N/A	4	NT .500-13 HX JAM ZN
15	031997	N/A	4	ANTI-SCALP WHEEL
16	781567	781567	2	NT .500-13 HX LK NY
1 2	788166	788166	4	ANTI SCALP WHEEL ASSEMBLY

NOTES:

1. Factory assembled in top hole for shipping purposes.
2. Includes Items 12 through 15.
3. Service part deck includes decals, see "Rear Discharge Deck Decals" Chapter 9 on page 9-5.

60" Rear Discharge Deck Pulley Assembly



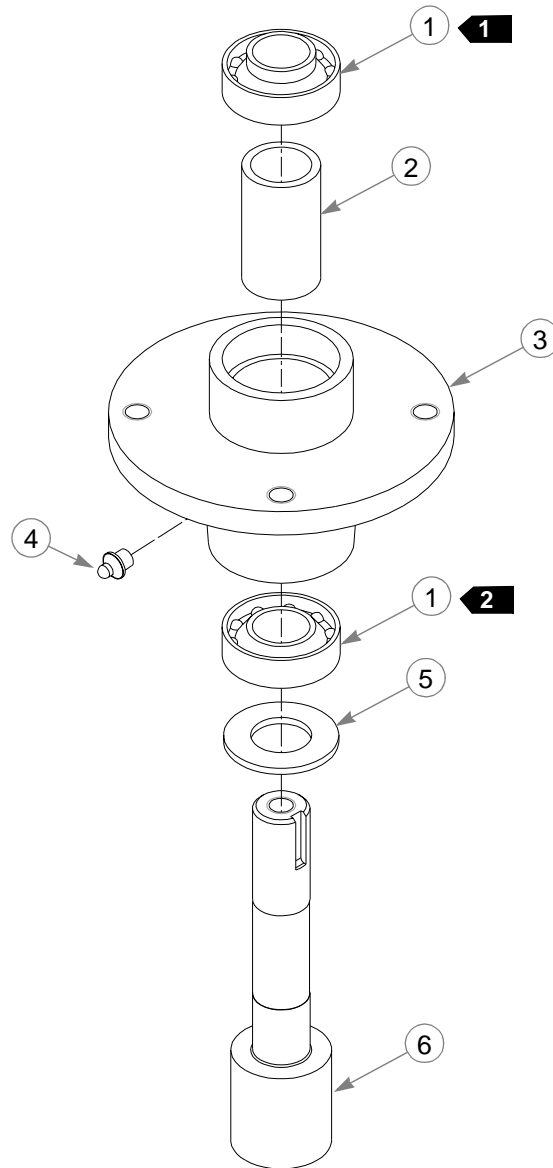
60" Rear Discharge Deck Pulley Assembly

INDEX NO.	SERVICE PART NO.	MFG. PART NO.	QTY.	DESCRIPTION
1	795773	795773	1	REAR DISCHARGE DECK BELT
2	351924	351924	1	RIGHT 60" REAR DISCHARGE PULLEY COVER
3	351932	351932	1	LEFT 60" REAR DISCHARGE PULLEY COVER
4	016972	016972	4	NT .625-11 HX G5 ZNYC
5	028118	028118	7	FW .62 X 1.00 X .134 ZN
6	794446	794446	1	CS .625-11X1.500 HX G5
7	796714	796714	5	6" HB IDLER PULLEY RD
8	781302	781302	1	IDLER SPRING
9	373191	373191	1	SIDE MOUNT CHAIN
10	797910	797910	6	CS .312-18X1.50FLT SH ZNYC
11	600171	600171	2	IDLER UHMW LS SLIDE
12	350884	350884	1	REAR DISCHARGE DECK IDLER
13	600189	600189	2	IDLER UHMW RS SLIDE
14	786335	786335	1	.03 THICK UHMW
15	792002	792002	4	5/16-18 X 3/4" MALE KNOB
16	016527	016527	15	CS .500-13 X 1.00 HX G5 ZN
17	078386	078386	3	FW .510 X 1.75 X .18 ZN
18	781328	781328	3	B-SECTION 6.10 PULLEY
19	767962	767962	12	FW .531 X 1.063 X .090 SAE HD ZN
5	796235	796235	2	DECK SPINDLE ASSY
6	796680	796680	1	REAR DISCHARGE DECK SPINDLE ASSEMBLY
22	212472	212472	3	KEY 1/4 SQ X 1.00 LONG
23	793794	793794	2	BLADE, 20.50"-L-F-CW
24	795633	795633	1	BLADE, 20.50"-L-F-CCW
25	782474	782474	6	CW .631 X 2.250 X .187 PNT
26	029934	029934	2	CS .625-11 X 3.00 HX G5 ZNYC
27	768523	768523	4	FW .343 X .687 X .051/.080 HD ZN
28	058776	058776	4	NT .312-18 HX NL ZNYC
29	783738	783738	3	CS .625-11X3.00 FULL HX G5 ZN
30	796722	796722	1	CS .625-11 X 3.00 LH HX G
31	041541	041541	1	NT .500-20 HX G5 ZNYC
32	017137	017137	1	FW .560 X 1.370 X .109 SAE
33	796268	796268	1	DIESEL DECK MOTOR PULLEY

NOTES:

1. Torque to 118 ft. lbs.
2. Torque to 65-75 ft. lbs.
3. Torque to 75 ft. lbs.
4. See "Deck Belt Routing and Tensioning—Rear Discharge" Chapter 8 on page 8–5
5. See "Spindle Assembly—796235" Chapter 7 on page 7–22 for breakdown.
6. See "Spindle Assembly—796680" Chapter 7 on page 7–23 for breakdown.

Spindle Assembly—796235

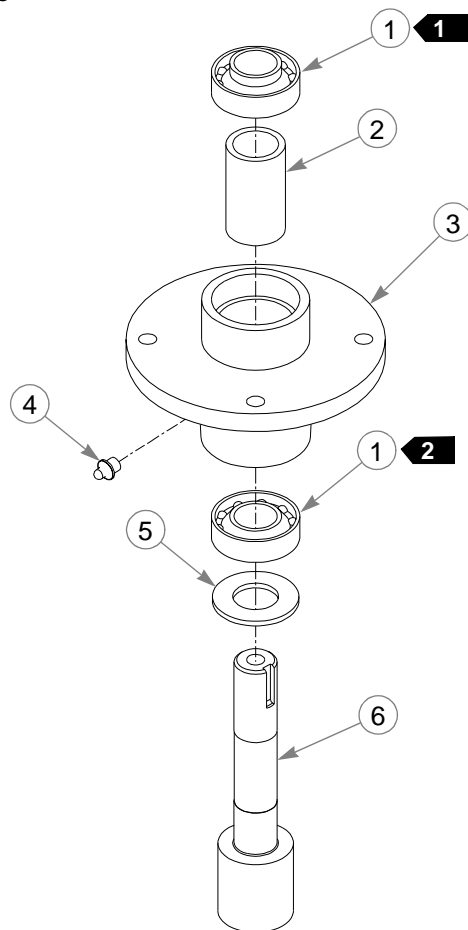


INDEX NO.	SERVICE PART NO.	MFG. PART NO.	QTY.	DESCRIPTION
1	077123	N/A	2	BEARING W/O COLLAR
2	766204	N/A	1	BLADE SPINDLE BUSHING
3	034843	N/A	1	CAST SPINDLE HOUSING
4	012005	N/A	1	GREASE FITTING
5	072272	N/A	1	FW 1.06 X 2.00 X.134 SAE ZN
6	796227	N/A	1	SADDLELESS SPINDLE SHAFT

NOTES;

1. Install upper bearing with extended inner race up.
2. Install lower bearing with extended inner race down.

Spindle Assembly—796680



INDEX NO.	SERVICE PART NO.	MFG. PART NO.	QTY.	DESCRIPTION
1	077123	N/A	2	BEARING W/O COLLAR
2	766204	N/A	1	BLADE SPINDLE BUSHING
3	034843	N/A	1	CAST SPINDLE HOUSING
4	012005	N/A	1	GREASE FITTING
5	072272	N/A	1	FW 1.06 X 2.00 X .134 SAE ZN
6	796698	N/A	1	SPINDLE SHAFT

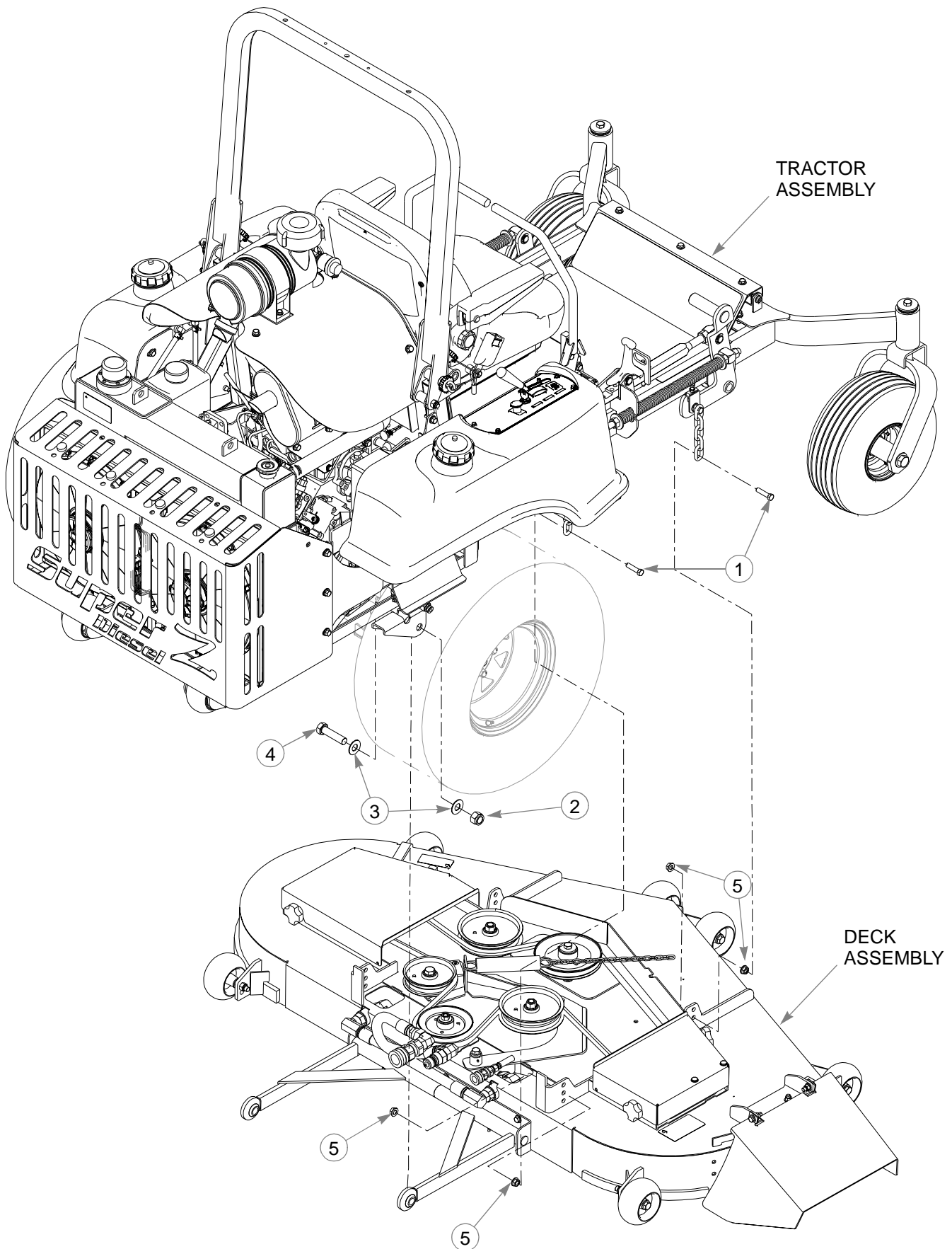
NOTES;

1. Install upper bearing with extended inner race up.
2. Install lower bearing with extended inner race down.

Chapter 8 Contents

Deck Installation	8-2
Side Discharge Deck Belt Routing and Tensioning	8-4
Deck Belt Routing and Tensioning–Rear Discharge	8-5
ROPS Installation	8-7
Seat Installation	8-8

Deck Installation



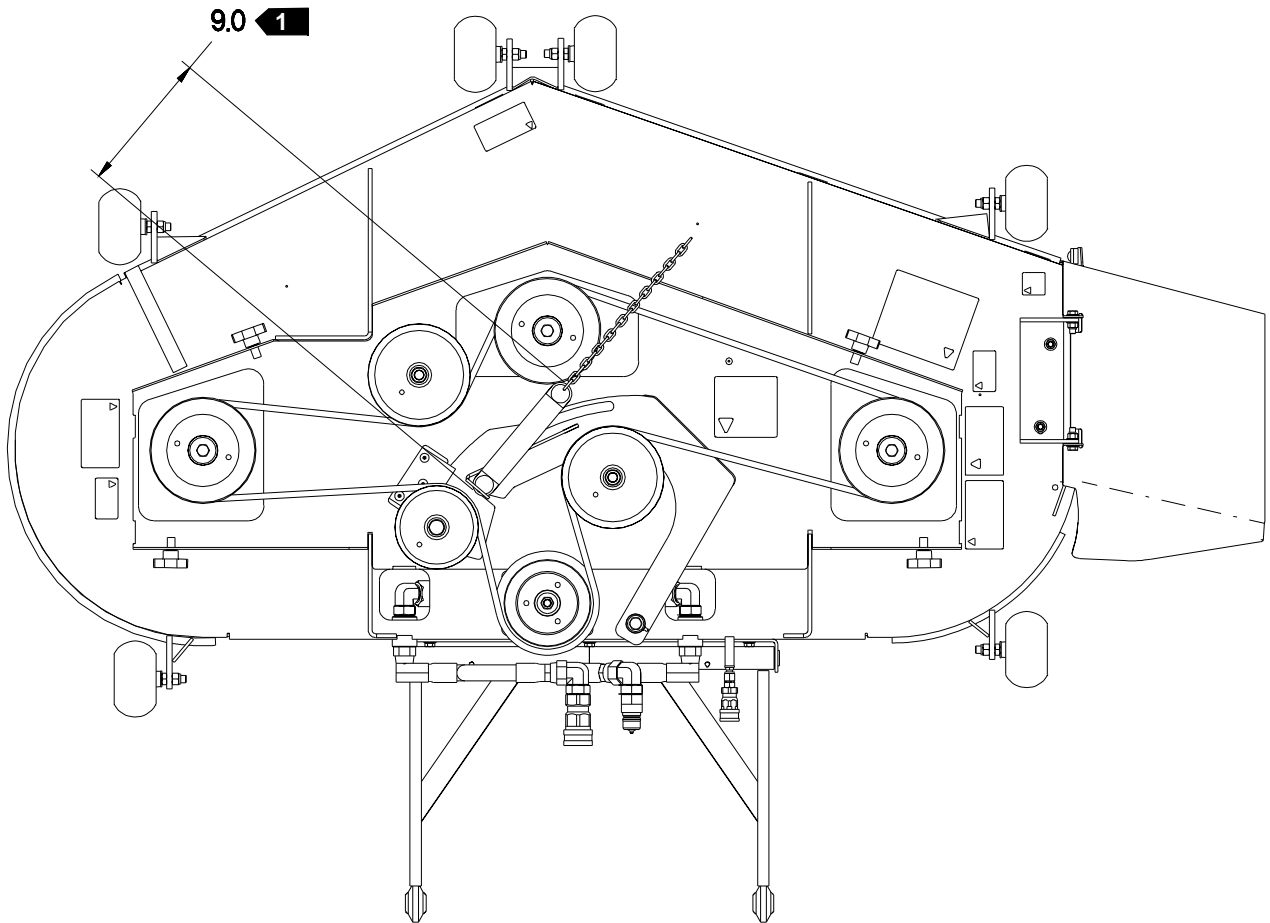
Deck Installation

INDEX NO.	SERVICE PART NO.	MFG. PART NO.	QTY.	DESCRIPTION
1	055749	055749	4	CS .437-14 X 1.70 HX G5 ZNYC
2	061101	061101	2	NT .750-10 HX NL ZN
3	025296	025296	4	FW .760 X 1.625 X .08 ZNYC
4	051169	051169	2	CS .750-10 X 3.00 HX G5 ZNYC
5	704643	704643	8	NT .437-14 HX FLG ZN

NOTES:

1. 72" Deck installation shown, 60" Deck installation is similar.

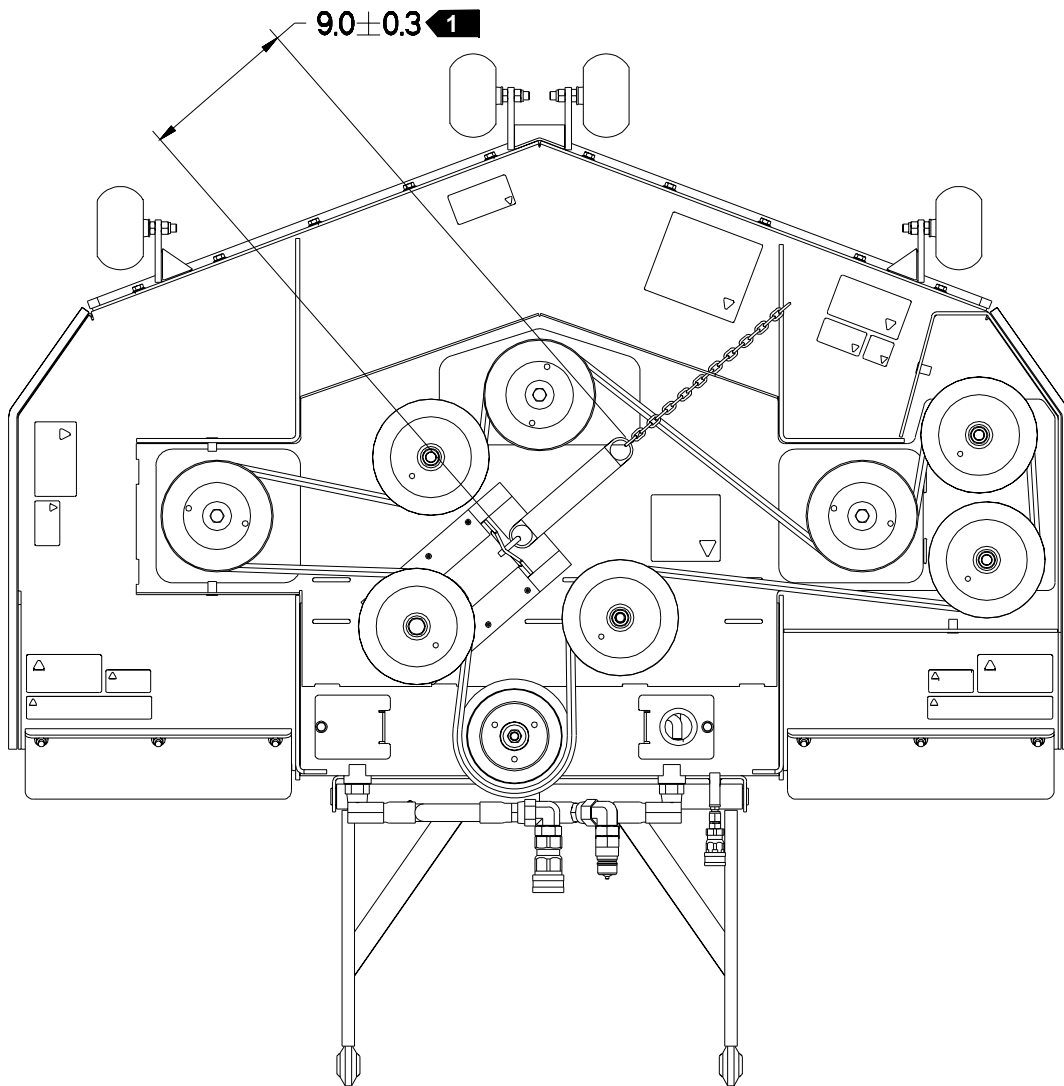
Side Discharge Deck Belt Routing and Tensioning



NOTES:

1. Spring length after tensioning belt. Installed spring length should be 9.0" \pm .3", measured from outside of hook to outside of hook.
2. Route belt as shown.

Deck Belt Routing and Tensioning–Rear Discharge

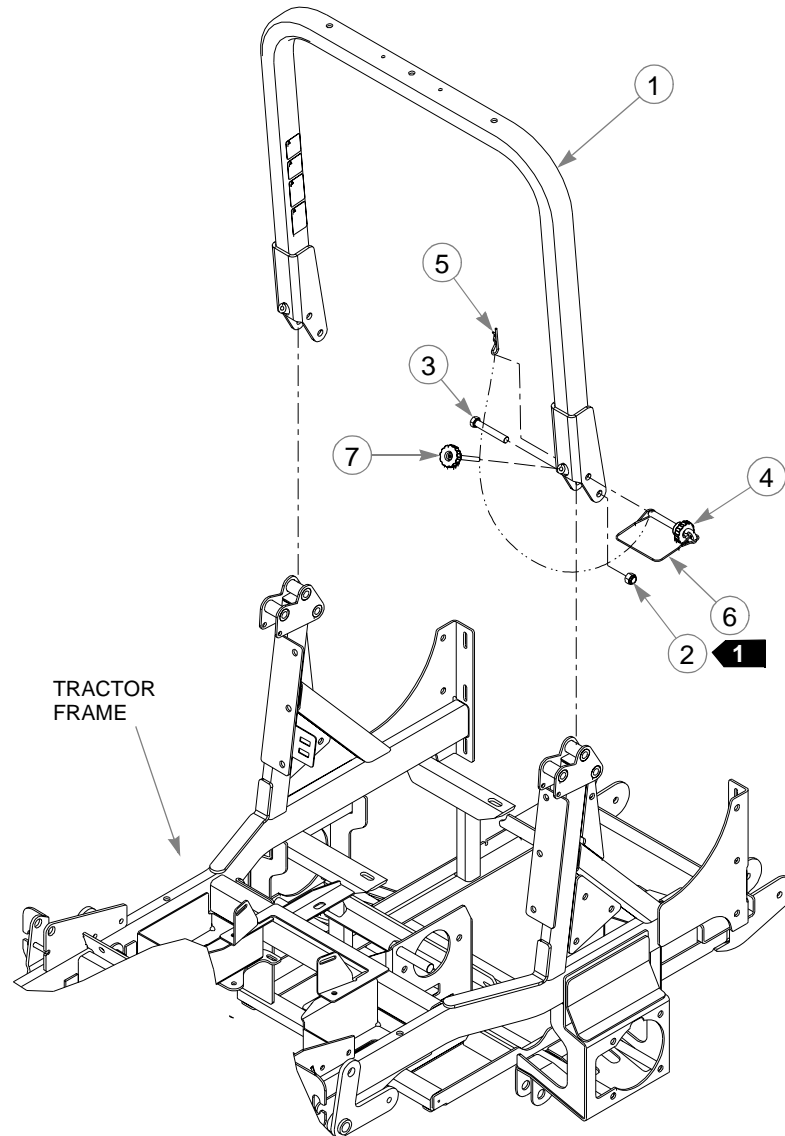


NOTES:

1. Spring length after tensioning belt. Installed spring length should be 9.0 ± 0.3 ", measured from outside of hook to outside of hook.
2. Route belt as shown.

This page intentionally left blank.

ROPS Installation

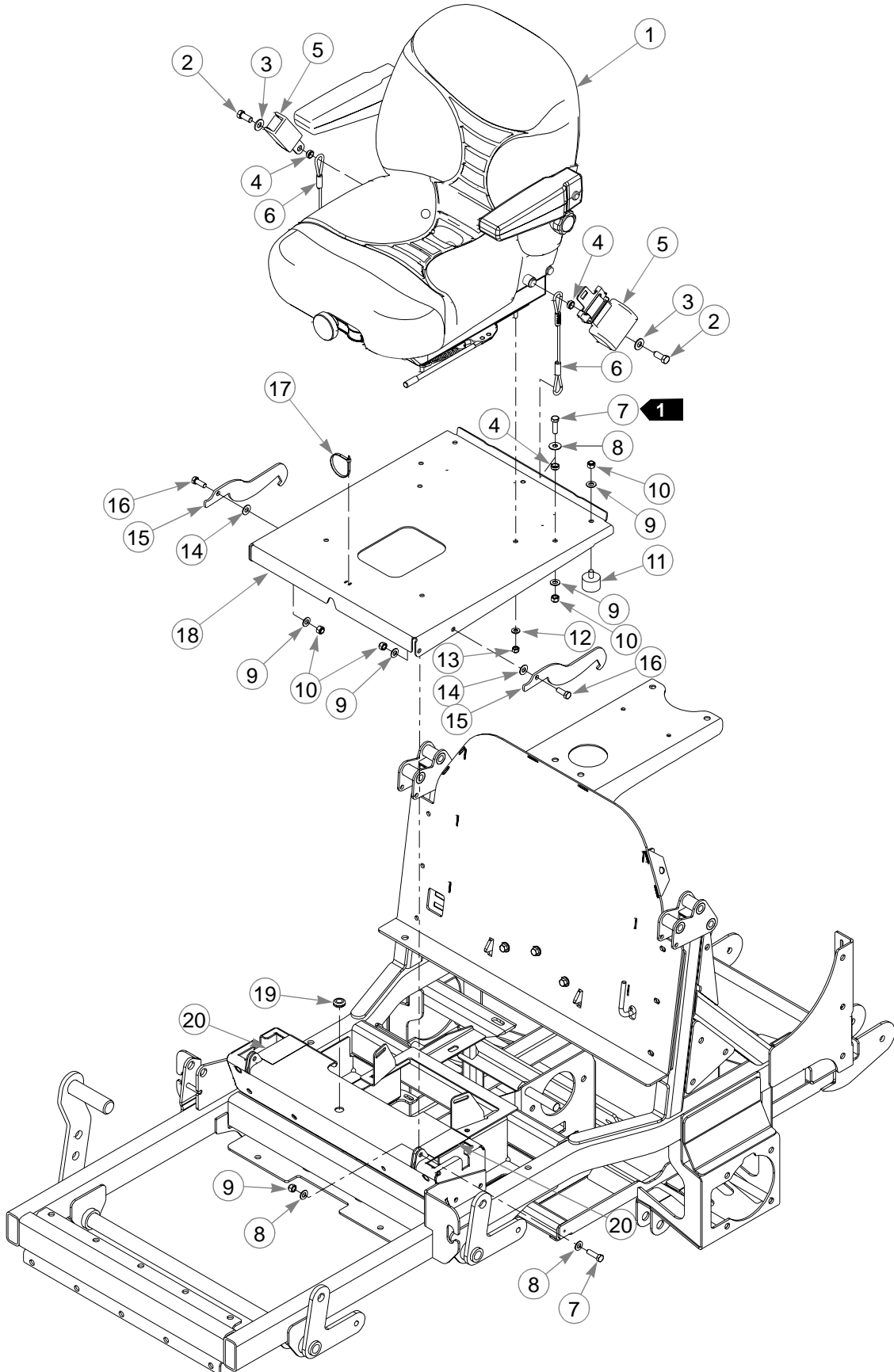


INDEX NO.	SERVICE PART NO.	MFG. PART NO.	QTY.	DESCRIPTION
1	314559	314559	1	DIESEL Z ROPS
2		N/A	2	NT .50-13 HX LK NY ZNYC
3		N/A	2	CS .500-13 X 3.25 HX G5 ZNYC
4		N/A	2	PULL PIN WITH LANYARD
5		N/A	2	HP .125 X 2.375 ZN
6		N/A	2	LANYARD
7	796896	N/A	1	ROPS HARDWARE KIT

NOTES:

1. Torque to 52 Ft. Lbs.
2. Items 2 through 6 are included in item 7.
3. Item 1 includes item 7.

Seat Installation



Seat Installation

INDEX NO.	SERVICE PART NO.	MFG. PART NO.	QTY.	DESCRIPTION
1	792051	792051	1	MICHIGAN SUSPENSION SEAT
2	797076	797076	2	CS .437-20 X 1.0 G8 ZNYC
3	728147	728147	2	FW .468 X 1.00 X .090 HT TRT
4	746131	746131	4	SPACER, .493 X .675 X .250
2	784140	784140	1	SEAT BELT
6	746081	746081	2	SEAT TETHER
7	052860	052860	4	CS .375-16 X 1.25 HX G5 ZNYC
8	076422	076422	2	FW .406 X 1.00 X .06 ZNYC
9	767954	767954	13	FW .406 X .812 X .060 SAE HD ZN
10	086660	086660	9	NT .375-16 HX LK NY
11	795161	795161	3	VIBRATION MOUNT
12	768523	768523	4	FW .343 X .687 X .051/.080 HD ZNYC
13	058446	058446	4	NT .312-18 HX NL ZNYC
14	724716	724716	2	FIBER WASHER
15	350421	350421	2	SEAT PAN STOP
16	036244	036244	2	CS .375-16 X 1.00 HX G5 ZNYC
17	000331	000331	1	SMALL/SHORT WIRE TIE
18	333260	333260	1	SEAT PAN
19	080358	080358	1	GM .50 X 1.00 X .75 X .12
20	722199	722199	2	2" WIDE SCOTCH POLYURETHANE

NOTES:

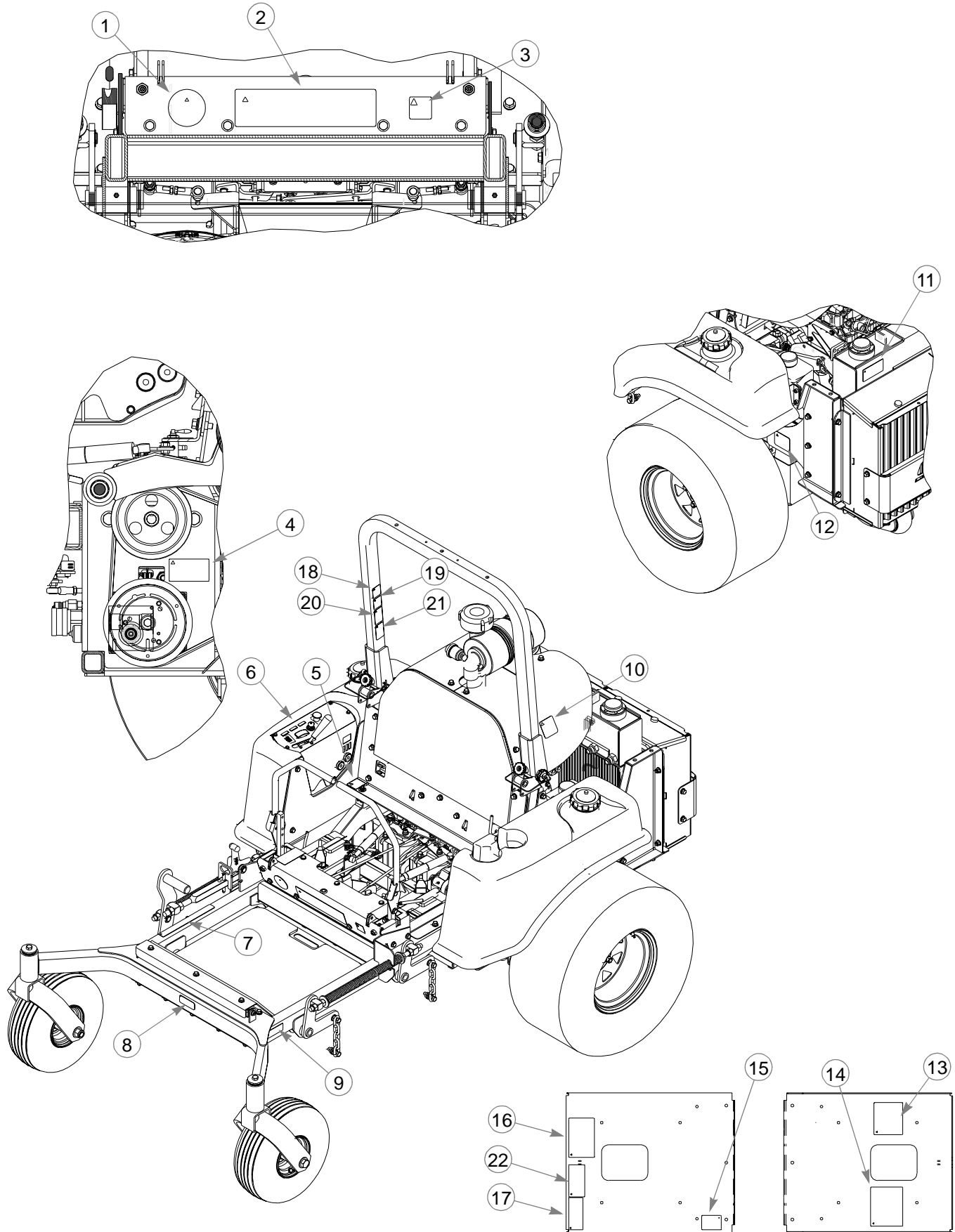
1. Torque to 48 Ft. Lbs.
2. May be installed with retractable side on either side of seat according to user preference.
3. Service parts available for Michigan Suspension seats:

<u>PART NO.</u>	<u>DESCRIPTION</u>
793307	SLIDE KIT
793323	KNOB KIT
793281	BACK CUSHION KIT
793299	SEAT CUSHION KIT
793315	SEAT SWITCH
793265	MOLDED ARMREST (FITS BOTH ARMRESTS)
793273	ARMREST STOP ASSEMBLY
797571	SEAT BACK PANEL KIT

Chapter 9 Contents

Tractor Decals	9-2
Side Discharge Deck Decals	9-4
Rear Discharge Deck Decal	9-5

Tractor Decals

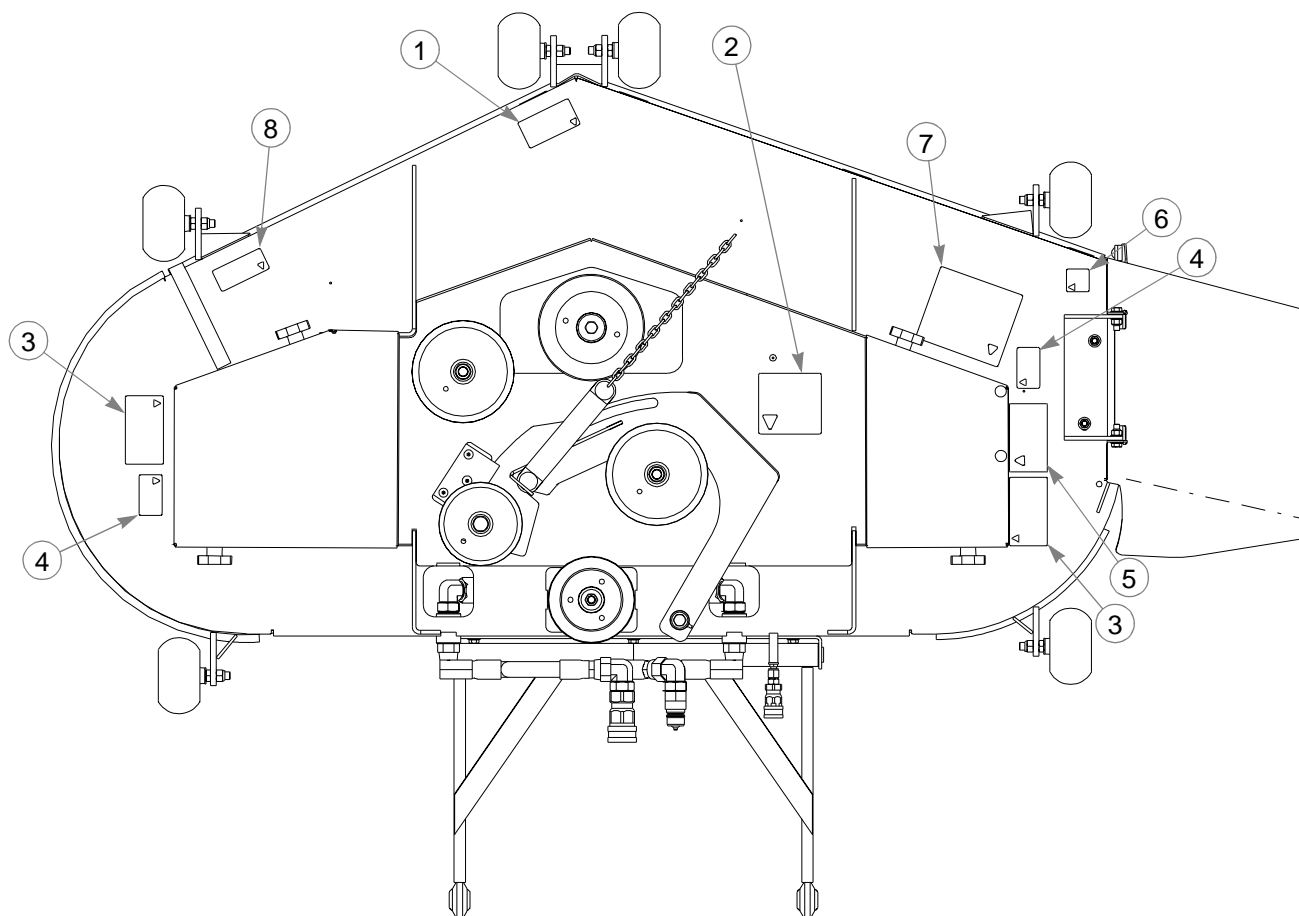


Tractor Decals

INDEX NO.	SERVICE PART NO.	MFG. PART NO.	QTY.	DESCRIPTION
1	782573	782573	1	FIRST ZERO TURN DECAL
2	782615	782615	1	SUPER Z ID DECAL
3	727172	727172	1	'MADE IN U.S.A.' DECAL
4	727008	727008	1	HYD PRESSURE DECAL
5	795740	795740	1	SUPER Z DIESEL FUEL DECAL
6	795476	795476	1	SUPER Z DIESEL DASH PANEL DECAL
7	796466	796466	1	CUTTING HEIGHT DECAL
8	793588	793588	1	HUSTLER NAME PLATE
9	N/A	083279	1	SERIAL NO PLATE TURF PROD
10	795468	795468	2	CAT DIESEL POWER DECAL
11	779280	779280	1	HOT & HYD OIL DECAL
12	771436	771436	1	STABILIZER DECAL
13	727016	727016	1	BATTERY DECAL
14	796342	796342	1	SUPER Z DIESEL SERVICE DECAL
15	785188	785188	1	Z ARMREST WARNING DECAL
16	782136	782136	1	Z OPERATION DECAL
17	788968	788968	1	ENGINE COMPARTMENT DECAL
18	N/A	N/A	1	ROPS SERIAL NUMBER DECAL
19	796862	N/A	1	PROTECTIVE WARNING DECAL
20	796870	N/A	1	USE SEAT BELT WARNING DECAL
21	796888	N/A	1	ROPS POSITION WARNING DECAL
22	600899	600899	1	PUMP BELT WARNING DECAL

NOTES:

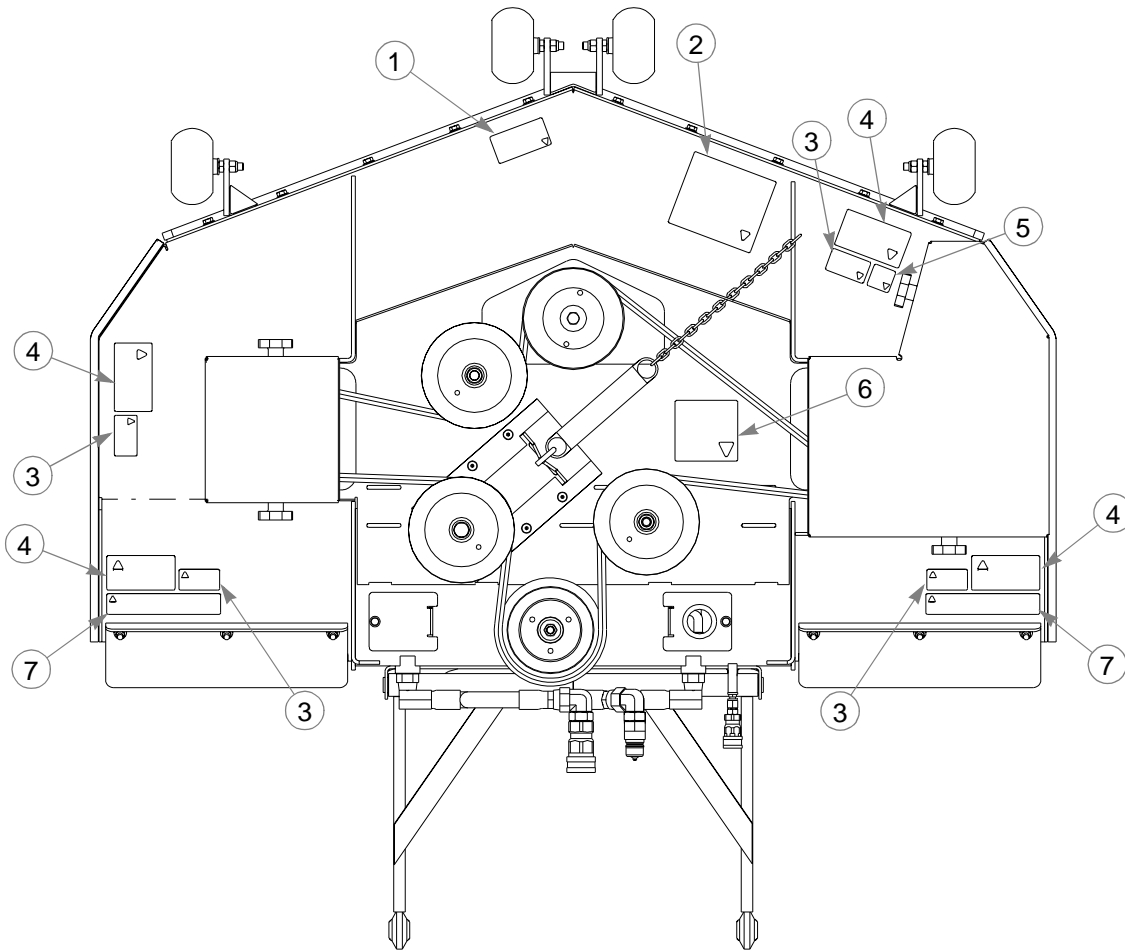
Side Discharge Deck Decals



INDEX NO.	SERVICE PART NO.	MFG. PART NO.	QTY.	DESCRIPTION
1	786277	786277	1	60" SIDE DISCHARGE DECK ID DECAL
	786285	786285	1	72" SIDE DISCHARGE DECK ID DECAL
2	781419	781419	1	BELT ROUTING DECAL
3	727438	727438	2	WHIRLING BLADES DECAL
4	727453	727453	2	BELT & PULLEY DECAL
5	727420	727420	1	DEFLECTOR SHIELD DECAL
6	727172	727172	1	"MADE IN U.S.A." DECAL
7	760637	760637	1	MOWER DECK QUICK REFERENCE DECAL
8	797845	797845	1	FUSION DECAL

NOTES:

Rear Discharge Deck Decals



INDEX NO.	SERVICE PART NO.	MFG. PART NO.	QTY.	DESCRIPTION
1	786285	786285	1	72" DECK ID DECAL
	786277	786277	1	60" DECK ID DECAL
2	760637	760637	1	MOWER DECK QUICK DECAL
3	727453	727453	4	BELT & PULLEY DECAL
4	727438	727438	4	WHIRLING BLADES DECAL
5	727172	727172	1	'MADE IN U.S.A.' DECAL
6	796961	796961	1	RD DECK ROUTING DCL
7	727529	727529	2	HDDT DEFLECTOR DECAL

Numerical Index

Part No.	Page No.	Part No.	Page No.	Part No.	Page No.
Index					
Part Numbers					
000323	5-23	050161	3-5	106658	5-7
000331	8-9	051151	6-6	212472	7-5, 7-11, 7-15, 7-21
005231	5-13, 5-17	052860	7-3, 7-9, 8-9	263517	6-3
008573	7-5, 7-11	053199	4-7, 7-3, 7-9, 7-13, 7-19	307884	7-9
011841	5-11			308114	7-3
012005	7-22, 7-23	054502	7-3, 7-9, 7-13, 7-19	311969	6-3
015495	5-2, 7-3, 7-5, 7-9, 7-11, 7-13, 7-19	055822	4-7, 5-21	314500	6-3
015511	6-4	055939	5-6, 5-7	314518	6-3
015719	3-5	056036	3-5	314559	8-7
015818	5-23	056069	2-6	314633	2-6
016147	3-5	057661	5-3, 5-11	314641	5-11
016154	4-3	058446	8-9	314666	5-11
016527	7-5, 7-11, 7-15, 7-21	058776	2-6, 3-5, 5-5, 7-15, 7-21	314682	5-11
016642	5-2			314716	2-6
016972	7-5, 7-11, 7-15, 7-21	059832	5-6, 5-7, 5-25	330670	5-11
017079	5-6, 5-7, 5-11, 5-13, 5-17, 5-21	060731	5-11	333260	8-9
017137	7-5, 7-11, 7-15, 7-21	061101	5-13, 5-17, 6-3	333344	4-7
021634	3-5	061812	5-13, 5-17	333351	4-7
023143	5-21	063297	2-6	333492	2-4
023655	4-7	068551	5-6, 5-7	334060	2-3
024927	4-3	070037	7-5, 7-11	334987	5-5
025296	5-13, 5-17, 6-3	072272	7-22, 7-23	335133	5-5
025395	7-13, 7-19	074252	3-5	335638	5-2
026237	5-25	076422	8-9	337477	5-25
028118	3-5, 5-2, 5-11, 7-5, 7-11, 7-15, 7-21	076547	5-13, 5-17	338962	5-11
029751	3-5, 4-3, 5-5, 5-6, 5-7, 5-13, 5-17, 5-21, 5-23, 6-3	076919	5-6	338996	2-5, 5-21
029868	3-5, 4-3	077123	7-22, 7-23	344267	5-13, 5-17, 6-3
029934	7-5, 7-11, 7-15, 7-21	078386	7-5, 7-11, 7-15, 7-21	344598	5-6
031997	6-6, 7-3, 7-9, 7-13, 7-19	079186	5-5	346957	5-11
032771	3-5	080358	8-9	347625	5-21
033035	5-7	083022	5-25	347666	5-21
034272	4-7	083279	9-3	348375	7-5
034843	7-22, 7-23	086660	3-5, 4-7, 5-7, 5-11, 7-3, 7-9, 7-13, 7-19, 8-9	348524	7-5
035691	5-6, 5-7			348714	4-7
036244	4-7, 7-3, 7-9, 7-13, 7-17, 7-19, 8-9	100479	7-19	348755	4-7
038398	5-23	101014	6-3	348797	4-7
039677	6-4	101345	7-15	348862	4-7
041152	4-7	101352	7-15	348888	4-7
041475	6-3	101360	7-13	348946	4-7
041483	5-23	101402	2-5	348987	4-7
041491	5-6, 5-21, 5-23	101477	7-13	349324	7-3, 7-9
041541	7-5, 7-11, 7-15, 7-21	101923	6-3	349381	7-11
045765	6-3	102210	7-13	349399	7-11
045898	5-25	102525	5-11	349498	7-5, 7-11
		102707	5-25	349522	7-3, 7-9
		103644	5-7	349803	7-3, 7-9, 7-13, 7-19
		106021	5-5	350421	8-9
		106237	3-5	350561	7-5, 7-11
		106278	2-5, 5-7	350850	3-5
		106393	3-5	350876	5-13
		106492	5-7	350884	7-15, 7-21
		106641	2-5, 5-7	351168	4-7

Part No.	Page No.	Part No.	Page No.	Part No.	Page No.
351171	4-7	762070	5-25	783738	7-5, 7-11, 7-15, 7-21
351254	1-1	762195	5-25	783878	7-5, 7-11
351288	4-3	763318	5-3	783928	3-5
351676	7-19	765339	4-7	783936	1-1, 3-5
351924	7-21	766204	7-22, 7-23	784140	8-9
351932	7-21	767954	2-6, 3-5, 4-3, 4-7, 5-5, 5-6, 5-7, 5-13, 5-17, 5-21, 5-23, 6-3, 7-3, 7-9, 7-13, 7-17, 7-19, 8-9	784199	7-5, 7-11
352476	2-3, 5-21			784223	6-3
352591	7-19			785071	4-3
373191	5-13, 5-17, 7-5, 7-11, 7-15, 7-21			785188	9-3
382010	2-2	767962	3-5, 5-11, 5-13, 5-17, 6-6, 7-3, 7-5, 7-9, 7-11, 7-13, 7-15, 7-19, 7-21	785261	1-1, 5-3
387035	6-3			785279	5-3
538850	7-5, 7-15			785295	5-21, 5-23
547273	7-3			785741	5-3
547356	7-9	768523	4-7, 5-5, 7-15, 7-21, 8-9	785808	5-25
547430	7-19			786277	9-4, 9-5
547448	7-13	769166	5-25	786285	9-4, 9-5
600171	7-15, 7-21	771303	3-3	786335	7-15, 7-21
600189	7-15, 7-21	771311	3-3	786632	4-3
600899	9-3	771428	4-3	788166	7-3, 7-9, 7-13, 7-19
704932	5-13, 5-17, 5-25	771436	9-3	788968	9-3
705178	4-7	775353	5-3	791400	5-6, 5-23
705954	6-3	776476	5-25	791897	6-3
712257	5-25	779132	3-3	791913	6-4
712372	3-5	779280	9-3	791939	2-5, 3-5
712919	5-11	781153	4-7	791970	1-1, 7-11
712927	3-5	781260	4-7	791988	1-1, 7-5
712976	6-3	781286	4-7	792002	7-5, 7-11, 7-15, 7-21
713040	5-11	781302	5-13, 5-17, 7-5, 7-11, 7-15, 7-21	792051	8-9
713198	4-3, 5-6, 5-7			792069	3-3
713685	2-6	781328	7-11, 7-21	792143	5-11
714998	5-6, 5-7, 5-25	781385	7-5, 7-11	792200	3-3
720177	5-11	781419	9-4	792267	1-1, 5-13, 5-17
720219	5-13, 5-17	781534	3-3	792275	5-2
721910	3-5, 5-13, 5-17	781542	3-3	792325	5-21
722199	4-3, 8-9	781567	3-5, 5-13, 5-17, 6-6, 7-3, 7-9, 7-13, 7-19	792333	5-21
724716	8-9			792366	5-13, 5-17
727008	9-3	781583	4-7	792416	5-11
727016	9-3	781617	7-5, 7-11	792424	5-11
727172	9-3, 9-4, 9-5	781708	7-3, 7-9, 7-13, 7-19	792432	5-11
727420	9-4	781716	4-7	792812	5-6, 5-7
727438	9-4, 9-5	781856	7-5, 7-11	792986	5-21, 5-23
727453	9-4, 9-5	781880	2-6, 5-7, 5-13, 7-3, 7-9	793216	4-3
727529	9-5			793265	8-9
728147	8-9	781922	4-7	793273	8-9
739144	5-11	782029	3-5	793281	8-9
740696	4-3	782136	9-3	793299	8-9
741132	5-13, 5-17	782474	7-5, 7-11, 7-15, 7-21	793307	8-9
746081	8-9	782573	9-3	793315	8-9
746131	8-9	782615	9-3	793323	8-9
747832	6-4	782664	5-13, 5-17	793588	9-3
748913	4-7	782763	5-3	793729	5-11
760637	9-4, 9-5	782771	6-4	793752	3-3
761023	5-21	782995	4-5	793794	7-21
				793877	3-3

Part No.	Page No.	Part No.	Page No.	Part No.	Page No.
794081	5-21	795765	5-11	796466	9-3
794164	5-11	795773	1-1, 7-21	796508	7-15
794263	3-5	795799	1-1	796540	5-11
794271	5-11	795807	1-1	796607	5-21
794347	5-25	795815	1-1	796680	7-15, 7-21
794438	3-5	795831	5-13, 5-17	796698	7-23
794446	7-5, 7-11, 7-15, 7-21	795849	7-7, 7-17	796706	3-3
794727	3-3, 3-7	795856	3-7	796714	7-15, 7-21
794735	5-23	795864	7-7, 7-17	796722	7-15, 7-21
794743	3-3	795872	3-7	796771	3-7
794859	7-11	795880	7-7, 7-17	796789	3-7
794867	7-5	795898	7-7, 7-17	796797	3-7
794891	3-5	795914	3-3	796821	3-7
794958	3-5	795922	3-3	796839	7-15
795088	2-6	795930	3-3, 3-7	796847	5-23
795104	2-6	795971	3-7	796862	9-3
795138	5-3	795989	3-7	796870	9-3
795153	3-5	795997	3-7	796888	9-3
795161	8-9	796003	3-7	796961	9-5
795252	7-11	796011	3-7	797076	8-9
795260	7-5	796029	3-7	797159	1-1, 7-15
795294	5-5	796037	3-7	797571	8-9
795328	5-25	796045	3-7	797688	5-13, 5-17, 5-25
795336	5-13, 5-25	796052	3-7	797845	9-4
795351	4-7	796060	3-3	797886	5-9
795369	4-7	796078	3-7	797910	7-15, 7-21
795377	4-7	796086	3-7	798470	5-21
795401	3-3	796102	3-7	798603	5-13, 5-17
795468	9-3	796110	3-3, 7-7, 7-17	798629	5-13, 5-17
795476	9-3	796128	3-3, 7-7, 7-17	798637	5-13, 5-17
795484	5-25	796144	3-3	798645	5-13, 5-17
795492	3-5	796151	3-7	798884	5-7
795500	5-6, 5-7	796169	3-7	798959	3-5
795518	3-5	796177	3-7	799148	3-5
795542	5-5, 5-23	796185	3-7	799205	5-21
795567	3-5, 5-21	796193	3-7	799213	5-21
795583	5-5	796219	4-3	799387	5-11
795625	4-7	796227	7-22	808485	7-3, 7-9, 7-13, 7-19
795633	7-21	796235	7-5, 7-11, 7-15, 7-21	808493	2-2, 2-3, 2-4, 2-5, 5-9
795641	7-7, 7-17	796268	7-5, 7-11, 7-15, 7-21	927327	1-1
795708	5-5	796276	2-6	927335	1-1
795716	5-5	796284	3-3	927608	1-1
795724	5-5	796342	9-3	927616	1-1
795740	9-3	796367	3-5		